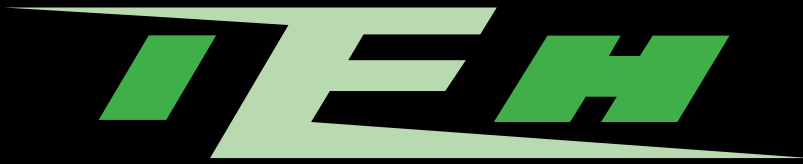


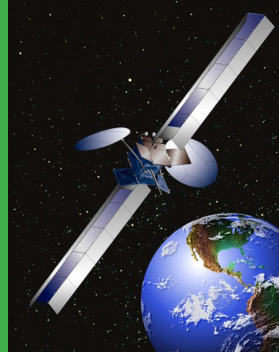
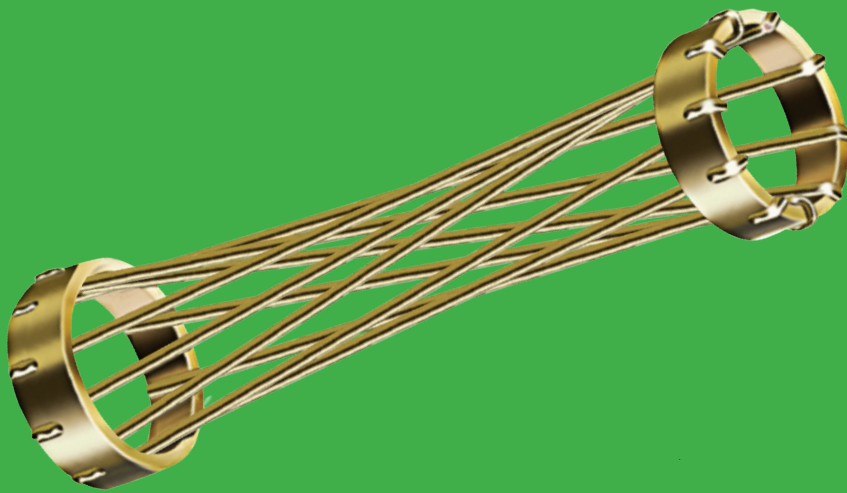
HYPERBOLOID CONTACTS



## HYPERBOLOID CONNECTORS

FOR SUPERIOR PERFORMANCE IN ALL APPLICATIONS

IEH CORPORATION ISO 9001:2015



[www.iehcorp.com](http://www.iehcorp.com)

## **IEH Quality Statement**

**Listening to our customers and meeting their needs while  
continuously improving our processes and services**

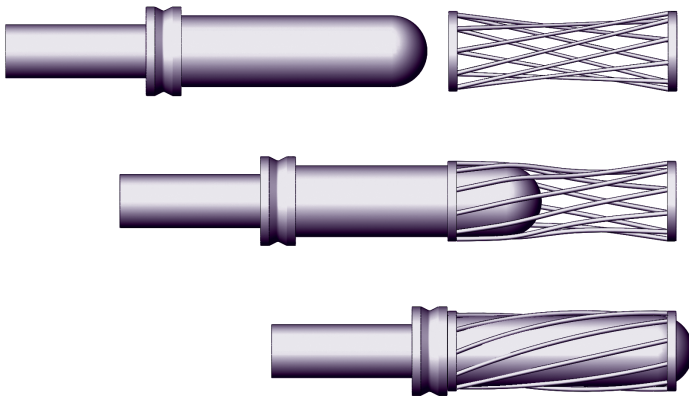
## CONTENTS HYPERBOLOID CONTACTS

PAGE	
3	Introduction
4	Specifications-1
5	Specifications-2
6	1200 Series Socket - Accepts Ø0.30 mm (0.012") Mating Pin
7	1200 Series Pin - Ø0.30 mm (0.012")
8	1600 Series Socket - Accepts Ø0.40 mm (0.016") Mating Pin, 1600 Series Pin - Ø0.40 mm (0.016")
9	1800 Series Socket - Accepts Ø0.45 mm (0.018") Mating Pin
10	1800 Series Pin - Ø0.45 mm (0.018")
11	2300 Series Socket - Accepts Ø0.58 mm (0.023") Mating Pin
12	2300 Series Pin - Ø0.60 mm (0.023")
13	2700 Series Socket - Accepts Ø0.69 mm (0.027") Mating Pin
14	3000 Series Socket - Accepts Ø0.030" (0.76 mm) Mating Pin
15	3000 Series Socket - Accepts Ø0.030" (0.76 mm) Mating Pin
16	3000 Series Pin - Ø0.030" (0.76 mm)
17	4000 Series Socket - Accepts Ø0.040" (1 mm) Mating Pin
18	4000 Series Socket - Accepts Ø0.040" (1 mm) Mating Pin
19	4000 Series Pin - Ø0.040" (1 mm)
20	5900 Series Socket - Accepts Ø1.50 mm (0.059") Mating Pin
21	5900 Series Pin - Ø1.50 mm (0.059")
22	6200 Series Socket - Accepts Ø0.062" (1.57 mm) Mating Pin
23	6200 Series Pin - Ø0.062" (1.57 mm)

**CONTENTS**  
**HYPERBOLOID CONTACTS**

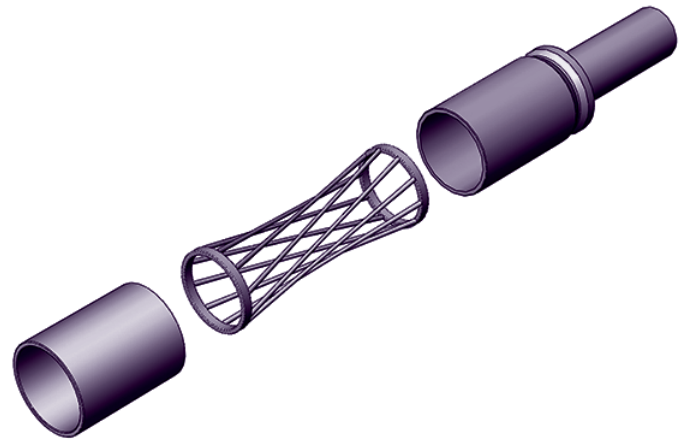
<b>PAGE</b>	
<b>24</b>	7800 Series Socket - Accepts Ø2.00 mm (0.078") Mating Pin
<b>25</b>	9300 Series Socket - Accepts Ø0.093" (2.36 mm) Mating Pin
<b>26</b>	9800 Series Socket - Accepts Ø0.098" (2.50 mm) Mating Pin
<b>27</b>	9800 Series Pin - Ø0.098" (2.50 mm)
<b>28</b>	1180 Series Socket - Accepts Ø3.00 mm (0.118") Mating Pin 1250 Series Socket - Accepts Ø0.125" (3.18 mm) Mating Pin
<b>29</b>	1380 Series Socket - Accepts Ø3.50 mm (0.138") Mating Pin
<b>30</b>	1380 Series Socket - Accepts Ø3.50 mm (0.138") Mating Pin
<b>31</b>	1380 Series Pin - Ø3.50 mm (0.138")
<b>32</b>	1420 Series Socket - Accepts Ø3.60 mm (0.142") Mating Pin 1575 Series Socket - Accepts Ø4.00 mm (0.157") Mating Pin
<b>33</b>	1690 Series Socket - Accepts Ø4.30 mm (0.169") Mating Pin
<b>34</b>	1690 Series Pin - Ø4.30 mm (0.169")
<b>35</b>	2541 Series Socket - Accepts Ø6.12 mm (0.241") Mating Pin
<b>36</b>	2541 Series Pin - Ø6.12 mm (0.241")
<b>37</b>	3150 Series Socket - Accepts Ø8.0 mm (0.315") Mating Pin
<b>38</b>	3570 Series Socket - Accepts Ø0.357" (9.07 mm) Mating Pin
<b>39</b>	5000 Series Socket - Accepts Ø0.500" (12.7 mm) Mating Pin
<b>40</b>	Crimp Tool, Positioner, Insertion tool & Removal Tool

The HYPERBOLOID contact is an advanced design that satisfies performance requirements previously considered impossible. Radically different in concept, it is used in connectors having the highest standards of performance. The distinguishing feature of the HYPERBOLOID socket is the hyper-boloid-shaped sleeve formed by straight wires strung at an angle to the longitudinal axis. Viewed from the side, you see a curve defined by a series of apparent short straight line segments which are tangent lines to points along a hyperbolic curve. This geometry provides for a design which has a decreasing circumscribed circle when viewed from the entry. It begins larger than the pin acceptance diameter and is less than this same diameter at the center. When the pin is inserted into this sleeve, the wires stretch, well within elastic limits, to accommodate it. In so doing, the wires wrap themselves around the pin providing a number of continuous line contact paths. The illustration below will assist in visualization.



The actual physical construction of the contact involves several components. The wires are strung on an internal wire carrier (inner sleeve) which is subsequently capped or enclosed by a front outer ring (front sleeve) and rear ring which includes the termination configuration (terminal). All components to the assembly are completely finished with the specified electroplating prior to assembly. The wires are continuous process plated on reel before use. In this manner, interface finish requirements can be controlled very closely without the common problems of gradient, shadow, or other finish imperfections often appearing in alternative designs. Very often, this processing feature permits the specifier to reduce precious metal content with resultant savings. Joints are calculated interference fits, insuring gas tight interfaces between all elements of the HYPERBOLOID construction. An exploded view is provided next.

The unique geometry, precision processing, and careful attention to quality result in a highly desirable contact design which provides:



- **VLIF (Very Low Insertion Force):** Common sizes #22 and less average under one ounce per contact.
- **Extraordinary Resistance to Shock & Vibration:** Tests exceeding 300 g's without discontinuity.
- **Duty Cycle Exceeding 100,000 Mate/Demate:** The burnishing action of the wires on the pin surface is non-destructive. Unlike the "plow" and scrape action of common designs, HYPERBOLOID's gentle mating action enhances life.
- **Low, Low Contact Resistance:** The multiplicity of line contact, as opposed to point contact in other designs, provides an excellent interface exhibiting low contact resistance (often less than 1/2 of MIL spec. allowances). This characteristic also provides for a cooler running contact under load.
- **Improved Current Carrying Capacity:** The low contact resistance gives a lower °C rise from ambient under load. This feature often allows the user to operate the same size contact under higher load.
- **Highest Reliability:** In use for over 40 years under the most demanding conditions HYPERBOLOID has proven itself to be the leading design for integrity and reliability. On space platforms, ships and boats at sea, land vehicles, fighter and transport aircraft, missiles, torpedoes, medical and transplant electronics, industrial and environmental controls, rail, construction, ATE and test equipment, PGA sockets, test interface stations, and other applications, HYPERBOLOID has lived up to its promise of the highest reliability connector available.

## SPECIFICATIONS

### MATERIALS:

Pin Contacts: PhBr per ASTM B139, BeCu per ASTM B196, or Cu alloy

Socket Contacts:

Contact Wires: BeCu per ASTM B197

Termination: PhBr per ASTM B139, BeCu per ASTM B196, or Cu alloy

Support Elements: Cu alloy

### FINISHES:

Pin Contacts: Gold per MIL-DTL-45204 Type II, Class 1 (.000050"), Grade C over Nickel, 0.000050" min., per SAE-AMS-QQ-N-290 over Copper per SAE AMS 2418

Socket Contacts:

Contact Wires: Gold per MIL-DTL-45204, Class 1 (.000050"), Grade C over Nickel, 0.000050" min., per SAE-AMS-QQ-N-290 over Copper per SAE AMS 2418

Termination: Gold per MIL-DTL-45204 Type II, .000010" min. or Class 00 (.000020" min), Grade C over Nickel, 0.000050" min., per SAE-AMS-QQ-N-290 over Copper per SAE AMS 2418 or \*\*Matte tin/lead (63-60/37/40), .00020" min., over Nickel, 0.000050" min., per SAE-AMS-QQ-N-290 over Copper per SAE AMS 2418

Support Elements: Gold per MIL-DTL-45204, .000010" min., Grade C over Nickel, 0.000050" min., per SAE-AMS-QQ-N-290 over Copper per SAE AMS 2418 or Nickel, 0.000050" min., per SAE-AMS-QQ-N-290 over Copper per SAE AMS 2418

### PERFORMANCE:

Contact Resistance: See Chart on page 5 - EIA-364-06 & MIL-DTL-55302 (par. 4.5.5)

Temperature: -65°C to +125°C (-86°F to +257°F)\*

Mating Force: See Chart - MIL-DTL-55302 (par. 4.5.4)

De-mating Force: See Chart - MIL-DTL-55302 (par. 4.5.4)

Solderability: (Where Applicable) IPC/EIA J-STD-002, Category 3

Humidity: IAW EIA-364-31, Method IV, except 7A & 7B (not required)

Vibration: IAW EIA-364-28 & MIL-DTL-55302 (par. 4.5.10)

Shock: IAW EIA-364-27 & MIL-DTL-55302 (par. 4.5.14)

Salt Spray: IAW EIA-364-26 & MIL-DTL-55302 (par. 4.5.11)

Temperature Cycling: IAW EIA-364-32 & MIL-DTL-55302 (par. 4.5.13)

### DIMENSIONS:

Catalog product dimensions are nominal.

Unless otherwise noted, dimensions are in inches.

\*Higher Temperature contacts available, please contact factory for more details

All information contained herein is believed to be reliable as of the date of publication, but is subject to change without notice. Current product drawings and specifications are available upon request from IEH.

IEH warrants its products to be free of defects affecting normal use. If any shipment is found to be defective we will accept return for repair or replacement at our option within one year of shipment. IEH is not responsible for incidental or consequential damages arising out of the use of our products.

SPECIFICATIONS

CONTACT SIZES*				30° C RISE <sup>2</sup>	120° C RISE <sup>2</sup>	CONTACT RESISTANCE	INSERTION FORCES (AVG.)	LIFE CYCLES
SERIES	INCH	mm	GAUGE (SAE-AS39029)	AMPS		MILLIOHMS	OUNCES	
1200	0.012	0.30	-	3	N/A	<10	0.4	↑ >100,000 ↓
1600	0.016	0.40	-	3.5		<8	0.7	
1800	0.018	0.45	-	4		<8	0.75	
2300	0.023	0.60	-	6.5		<5	0.8	
2700	0.027	0.69	-	7		<5	0.9	
3000	0.030	0.76	22	8		<5	1.0	
4000	0.040	1.00	20	13		<2.5	1.0	
5900	0.059	1.50	-	15	32	<2.5	2.5	
6200	0.062	1.57	16	15.5	29	<2.5	2.5	
7800	0.078	2.00	14	18.5	37	<1.5	2.5	
9300	0.093	2.36	12	27	40	<1	9	
9800	0.098	2.50	-	26.8	52	<1	12	
1180	0.118	3.00	-	38	68	<1	18	
1250	0.125	3.18	10	41	76	<0.75	18	
1380	0.138	3.50	-	44	83	<0.5	18	
1420	0.142	3.61	8	57	116	<0.5	19	
1575	0.157	4.00	-	60	114	<0.5	20	
1690	0.169	4.30	-	100	152	<0.4	30	
2541	0.241	6.12	-	N/A	230	<0.25	120	
3150	0.315	8.00	-	108	214	<0.18	121	
3570	0.357	9.07	0	132	260	<0.25	122	
5000	0.500	12.7	-	180	360	<0.09	130	

\* Contact size equivalent to mating pin diameter

**NOTES:**

1. Sizes and styles are the most common and do not include all contacts currently in production.

Custom Designs available upon request.

2. Ampacity values are based on discrete contact testing, and are for reference only. Variables which can affect ampacity ratings include but are not limited to; number of hyperboloid wires inside sockets, wire diameter, AWG of the terminating cable, and derating requirements of end-user applications. IEH test data and methodology are available upon request.

3. Hyperboloid interconnects are unequaled for service under severe shock and vibration. They exhibit no intermittence through test levels exceeding 300 G's continuous.

All information contained herein is believed to be reliable as of the date of publication, but is subject to change without notice. Current product drawings and specifications are available upon request from IEH.

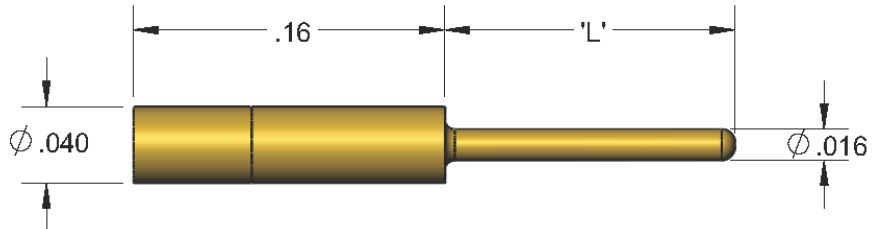
IEH warrants its products to be free of defects affecting normal use. If any shipment is found to be defective we will accept return for repair or replacement at our option within one year of shipment. IEH is not responsible for incidental or consequential damages arising out of the use of our products.



## 1200 SERIES SOCKET-ACCEPTS Ø0.30 mm (0.012) MATING PIN

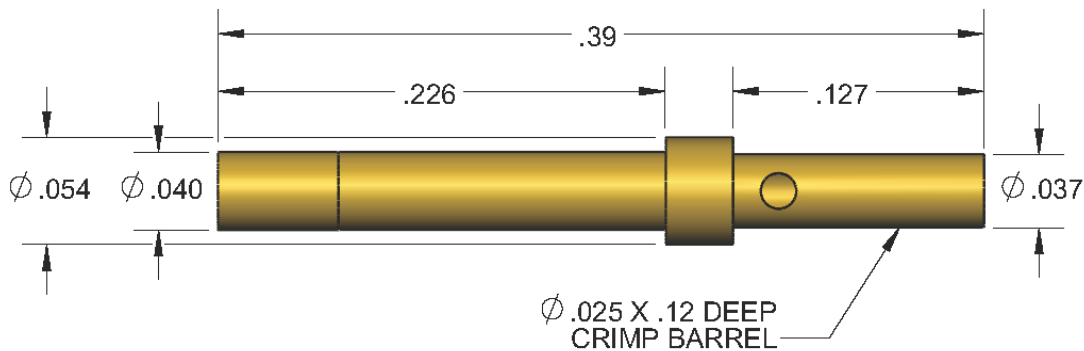
### DIP SOLDER

PART NO.	'L'
HSD1200-1	1.065
HSD1200-2	0.958
HSD1200-3	0.774
HSD1200-4	0.682
HSD1200-5	0.496
HSD1200-6	0.404



### CRIMP

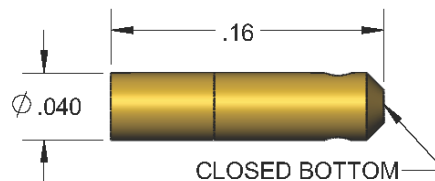
HSC1200-1



Accepts 26-28 AWG Wire

### PWB

HSR1200-1



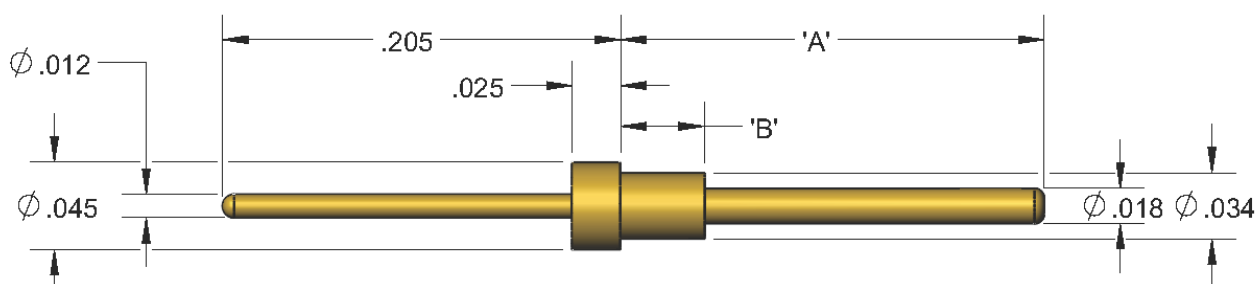
**OTHER TERMINATION STYLES AVAILABLE.  
CONTACT FACTORY FOR AVAILABILITY.**



1200 SERIES PIN - Ø0.30 mm (0.012)

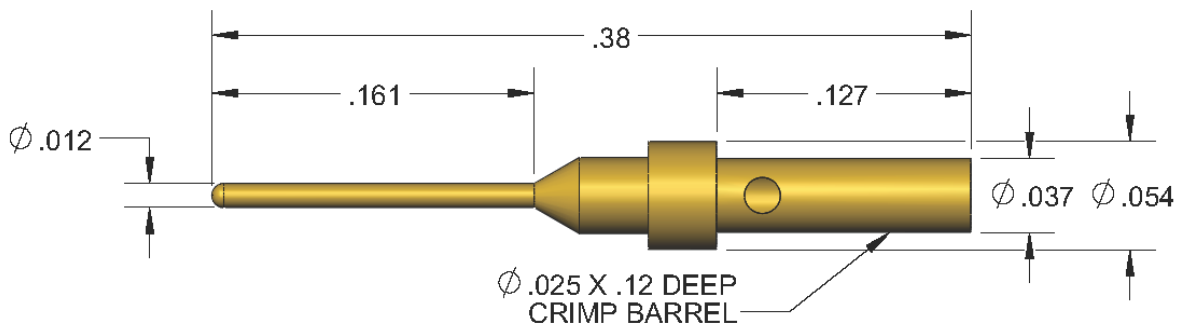
DIP SOLDER

PART NO.	'A'	'B'
TPD1200	.218	.043
TPD1201	.650	.028



CRIMP

TPC1200



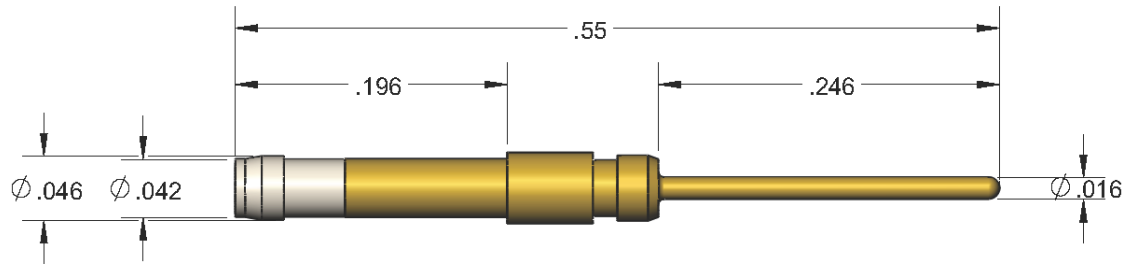
Accepts 26-28 AWG Wire

OTHER TERMINATION STYLES AVAILABLE.  
CONTACT FACTORY FOR AVAILABILITY.

## 1600 SERIES SOCKET- ACCEPTS Ø0.40 mm (0.016) MATING PIN

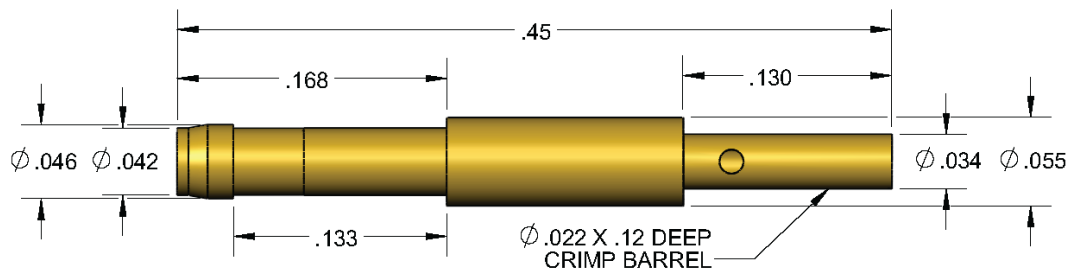
### DIP SOLDER

HSD1600-1



### CRIMP

HSC1600-1

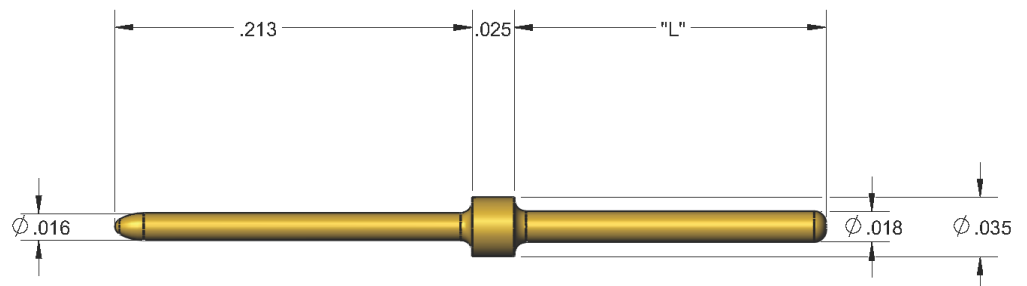


Accepts 26-28 AWG Wire

## 1600 SERIES PIN- Ø0.40mm (0.016)

### DIP SOLDER

PART NO.	"L"
TPD1600A	0.160
TPD1600B	0.191
TPD1600C	0.223
TPD1600D	0.285

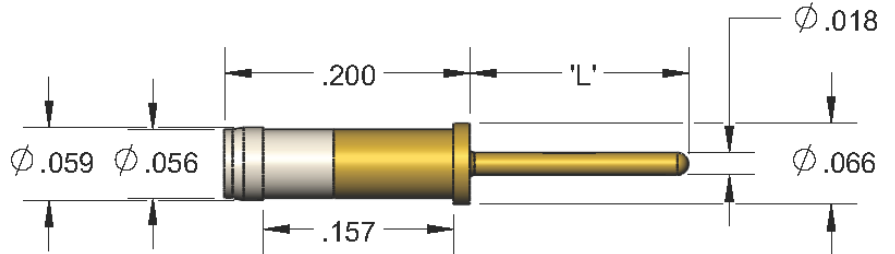


OTHER TERMINATION STYLES AVAILABLE.  
CONTACT FACTORY FOR AVAILABILITY.

1800 SERIES SOCKET - ACCEPTS Ø0.45 mm (0.018) MATING PIN

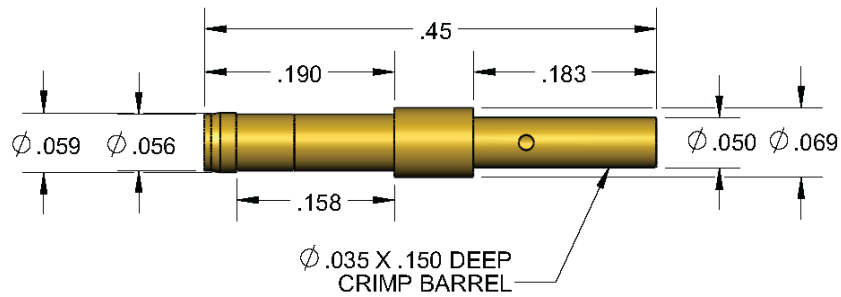
DIP SOLDER

PART NO.	'L'
HSD1800-1	.180
HSD1800-5	.135
HSD1800-6A	.175
HSD1800-13	.166



CRIMP

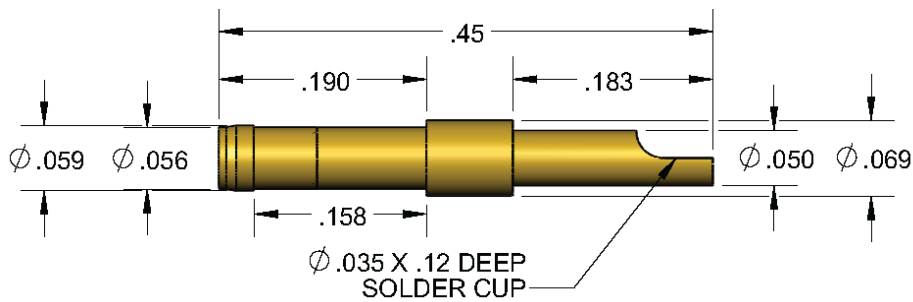
HSC1800-1



Accepts 22-26 AWG Wire

SOLDER CUP

HSS1800-1

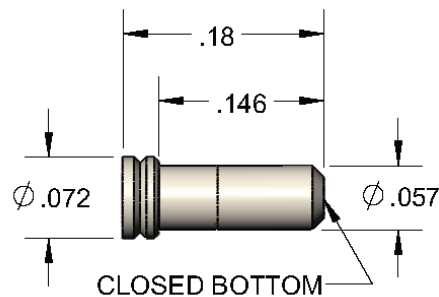


Accepts Up To 22 AWG Wire

PWB

HSR1800-1

Note: Tin-Lead Plated

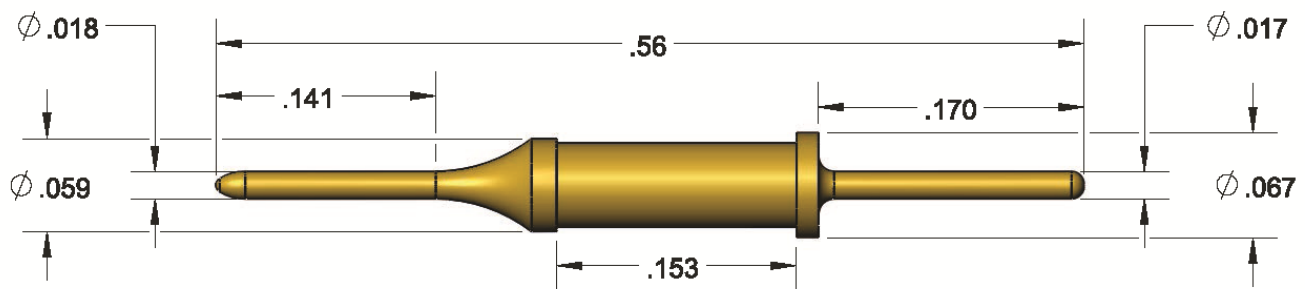


OTHER TERMINATION STYLES AVAILABLE. CONTACT FACTORY FOR AVAILABILITY.

## 1800 SERIES PIN - Ø0.45 mm (0.018)

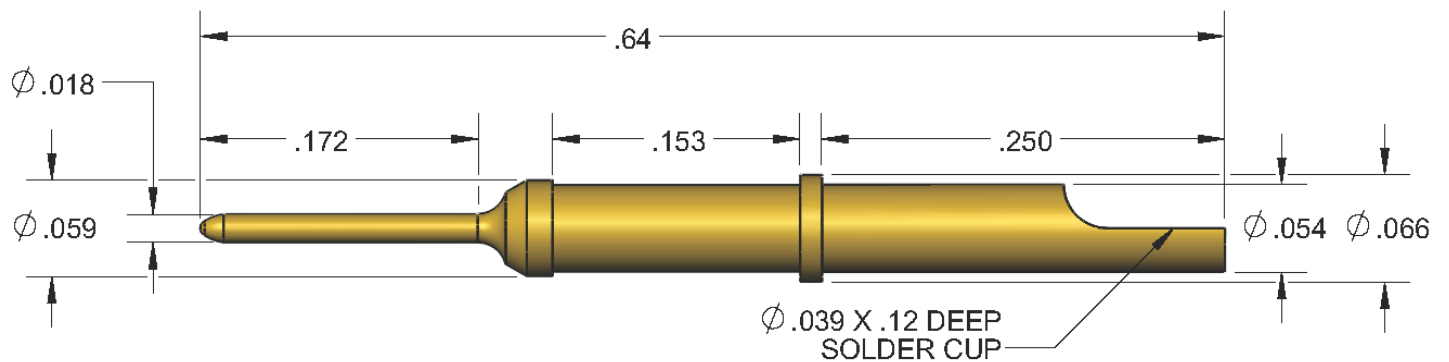
### DIP SOLDER

TPD1850



### SOLDER CUP

TPS1800



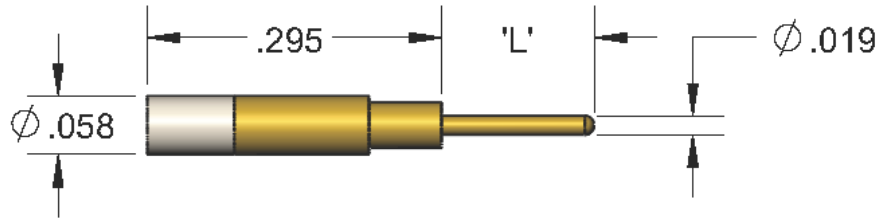
Accepts Up To 22 AWG Wire

**OTHER TERMINATION STYLES AVAILABLE.  
CONTACT FACTORY FOR AVAILABILITY.**

2300 SERIES SOCKET-ACCEPTS Ø0.60 mm (0.023) MATING PIN

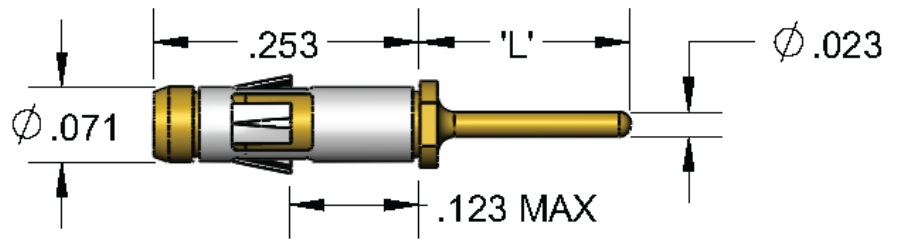
DIP SOLDER

PART NO.	'L'
HSD2301-35	.156
HSD2301-45	.129
HSD2301-51	.113
HSD2301-52	.185
HSD2301-63	.229
HSD2301-64	.429
HSD2301-82	.292



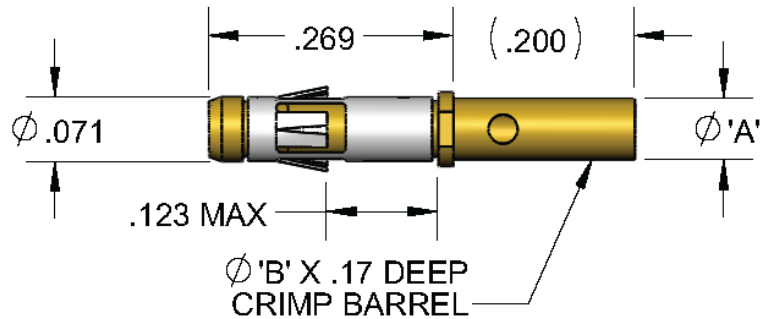
DIP SOLDER

PART NO.	'L'
HSD2306-5	.222
HSD2306-6	.260



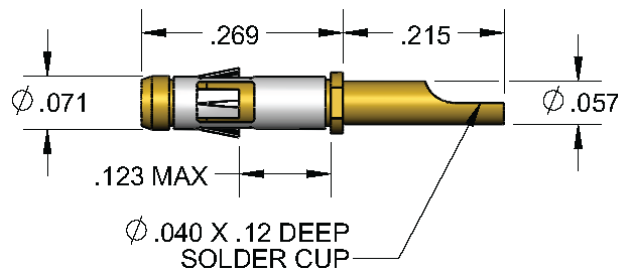
CRIMP

PART NO.	'A'	'B'	AWG Wire
HSC2306-1	.072	.058	20
HSC2306-1A	.067	.048	20
HSC2306-1B	.051	.035	22-26



SOLDER CUP

HSS2306-1



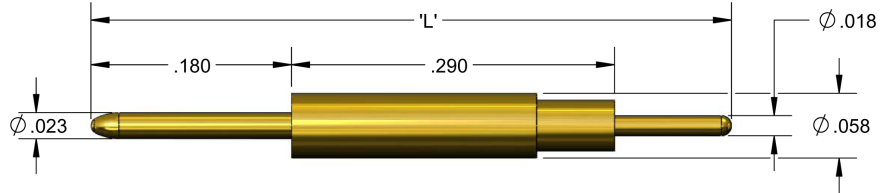
Accepts Up To 22 AWG Wire

OTHER TERMINATION  
STYLES AVAILABLE.  
CONTACT FACTORY  
FOR AVAILABILITY.

## 2300 SERIES PIN - Ø0.60 mm (0.023)

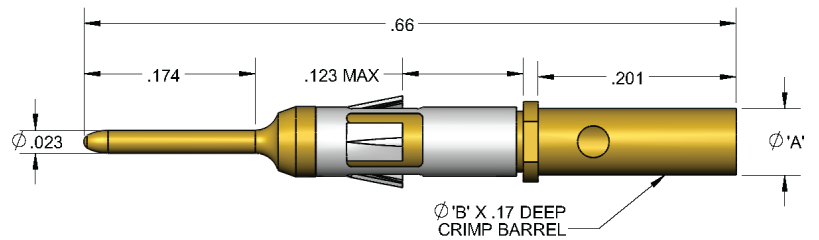
### DIP SOLDER

PART NO.	'L'
TPD2328	.66
TPD2328A	.63
TPD2328B	.58
TPD2328C	.595



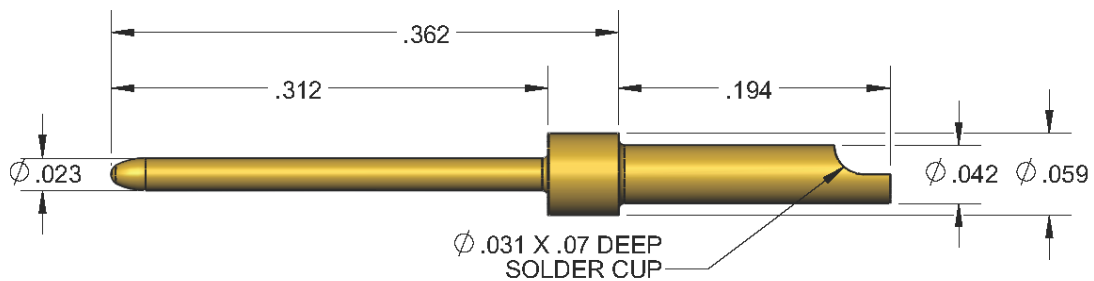
### CRIMP

PART NO.	'A'	'B'	AWG WIRE
TPC2307	.072	.058	20
TPC2308	.067	.048	20
TPC2309	.051	.031	22-26



### SOLDER CUP

TPS2306



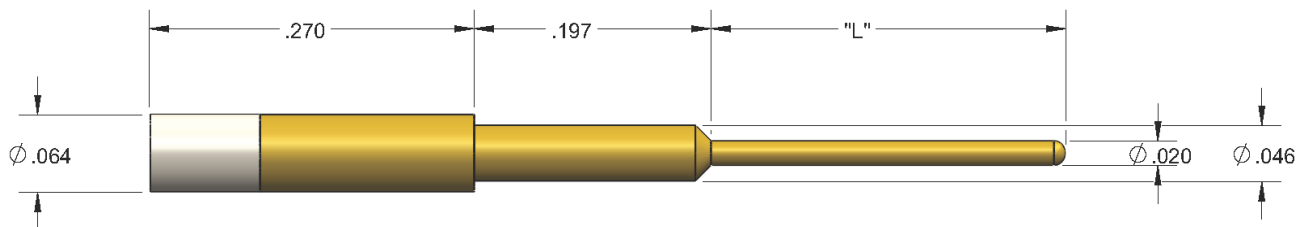
Accepts Up To 22 AWG Wire

**OTHER TERMINATION STYLES AVAILABLE.  
CONTACT FACTORY FOR AVAILABILITY.**

2700 SERIES SOCKET- ACCEPTS Ø0.69 mm (0.027) MATING PIN

DIP SOLDER

PART NO.	"L"
HSD2700-4	0.295
HSD2700-5	0.420



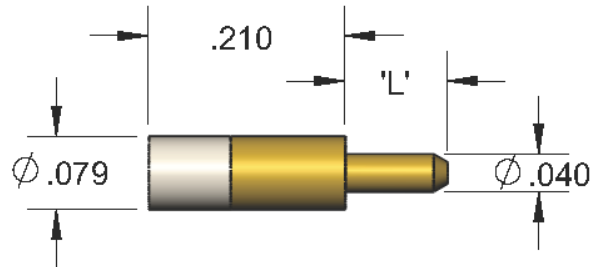
**OTHER TERMINATION STYLES AVAILABLE.  
CONTACT FACTORY FOR AVAILABILITY.**



## 3000 SERIES SOCKET-ACCEPTS Ø0.030 (0.76 mm) MATING PIN

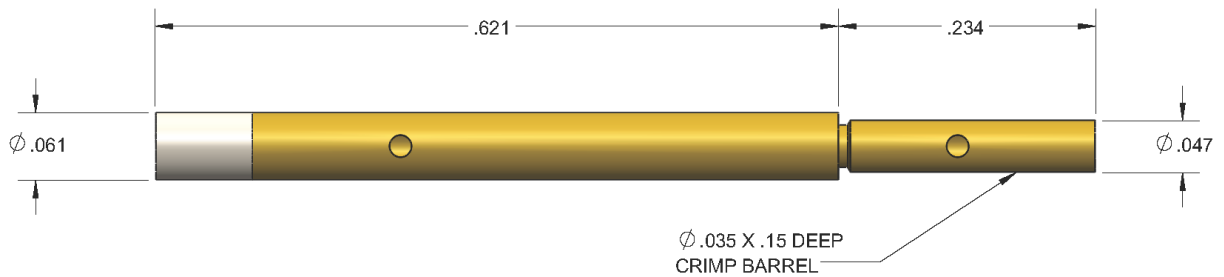
### DIP SOLDER

PART NO.	"L"
HSD3002-1	.110
HSD3002-2	.140
HSD3002-3	.160
HSD3002-7	.200



### CRIMP

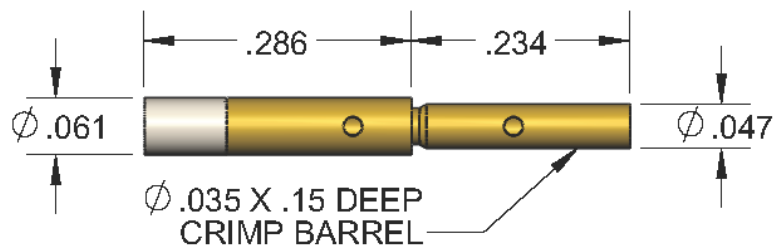
HSC3003-348 (PER SAE-AS39029/56-348)



Accepts 22-28 AWG Wire

### CRIMP

HSC3003-354 (PER SAE-AS39029/57-354)



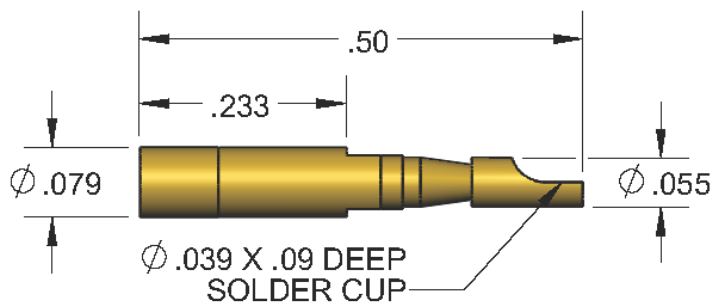
Accepts 22-28 AWG Wire

OTHER TERMINATION STYLES AVAILABLE.  
CONTACT FACTORY FOR AVAILABILITY.

3000 SERIES SOCKET- ACCEPTS Ø0.030 (0.76 mm) MATING PIN

SOLDER CUP

HSS3030-2

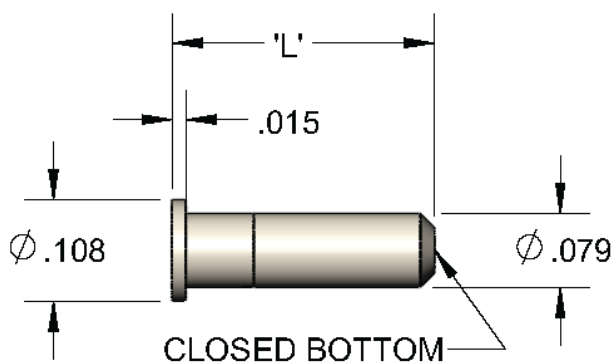


Accepts up to 22 AWG Wire

PWB

PART NO.	'L'
HSR3000-1	.28
HSR3000-2	.21

Note: Tin-Lead Plated

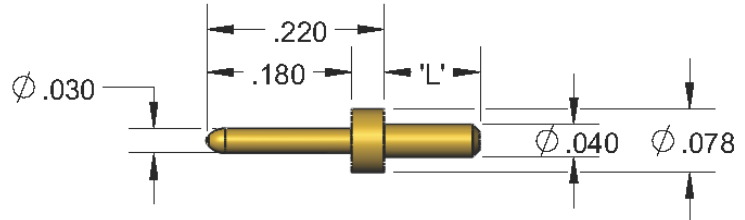


OTHER TERMINATION STYLES AVAILABLE.  
CONTACT FACTORY FOR AVAILABILITY.

## 3000 SERIES PIN - Ø0.030 (0.76 mm)

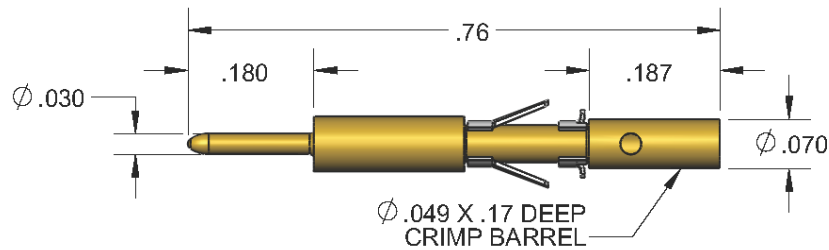
### DIP SOLDER

PART NO.	'L'
TPD3050	.110
TPD3052	.165
TPD3053	.130



### CRIMP

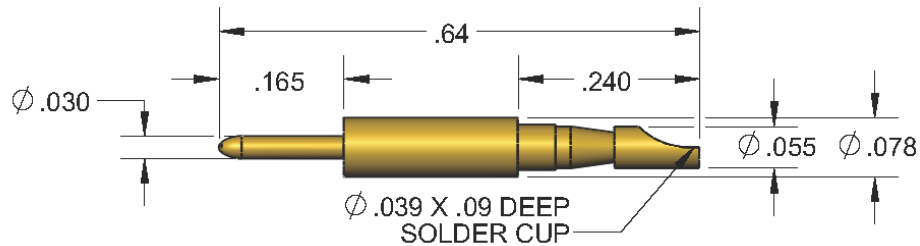
TPC3000



Accepts 22-26 AWG Wire

### SOLDER CUP

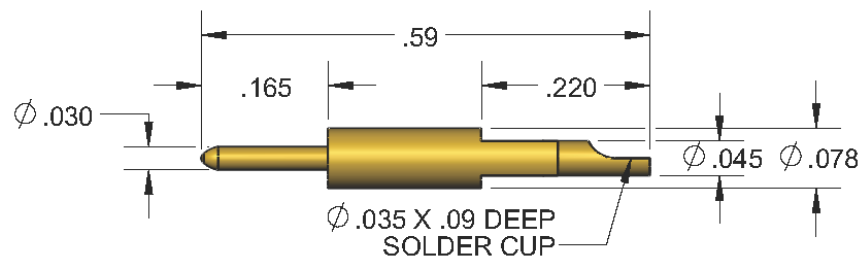
TPS3033



Accepts up to 22 AWG Wire

### SOLDER CUP

TPS3040



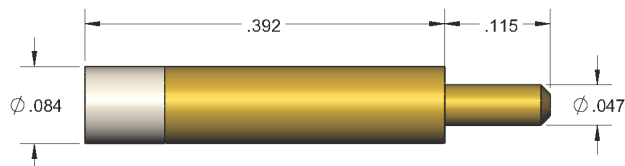
Accepts up to 22 AWG Wire

OTHER TERMINATION  
STYLES AVAILABLE.  
CONTACT FACTORY  
FOR AVAILABILITY.

4000 SERIES SOCKET- ACCEPTS Ø0.040 (1 mm) MATING PIN

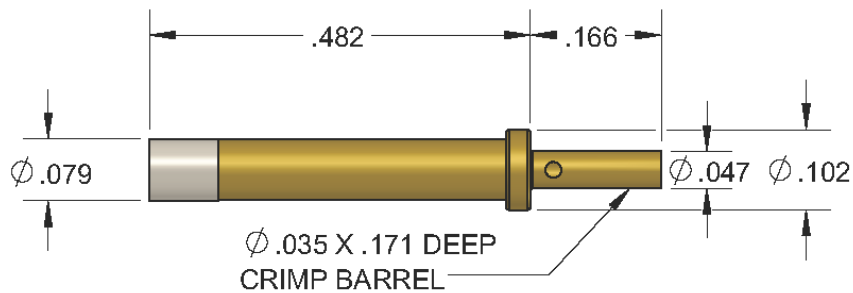
DIP SOLDER

HSD4030-2



CRIMP

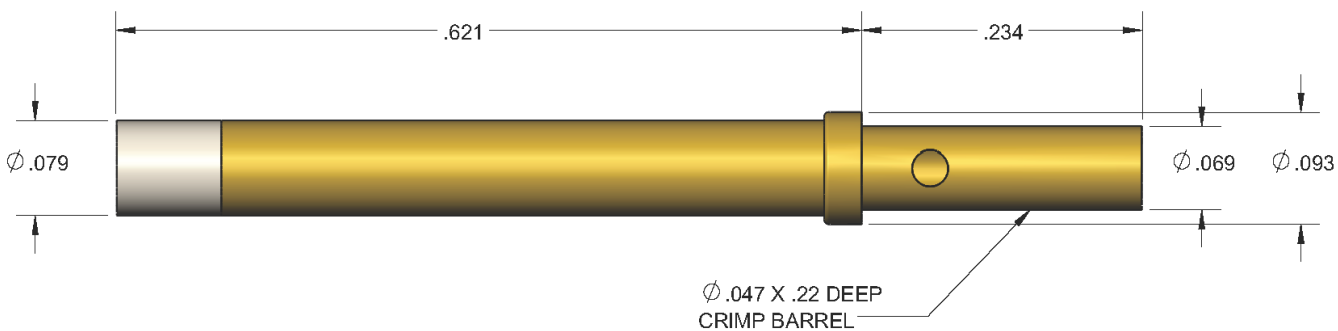
HSC4003-115M



Accepts 24-26 AWG Wire

CRIMP

HSC4003-351 (PER SAE-AS39029/56-351)



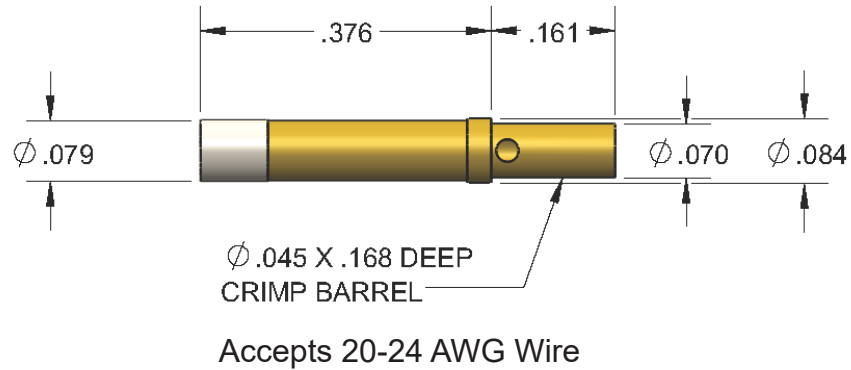
Accepts 20-24 AWG Wire

OTHER TERMINATION STYLES AVAILABLE.  
CONTACT FACTORY FOR AVAILABILITY.

## 4000 SERIES SOCKET-ACCEPTS Ø0.040 (1 mm) MATING PIN

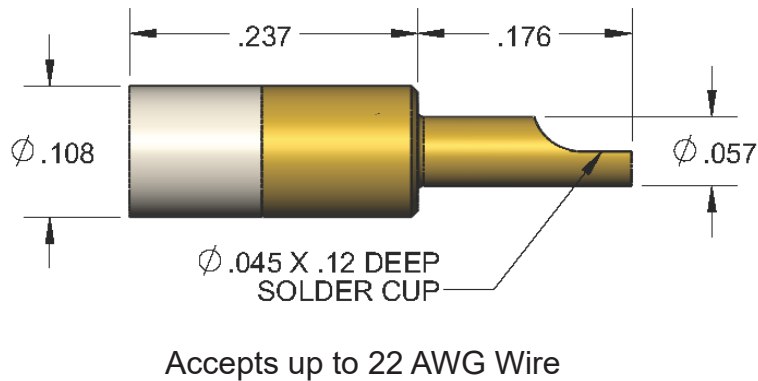
### CRIMP

HSC4003-368 (PER SAE-AS39029/63-368)



### SOLDER CUP

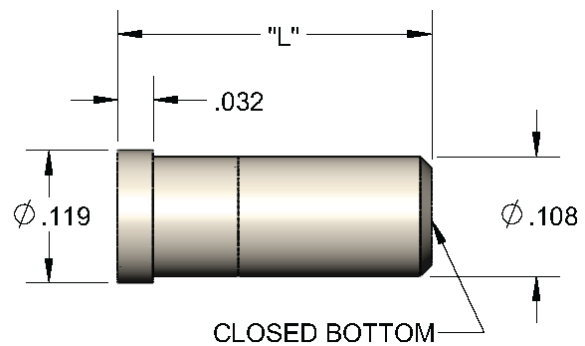
HSS4000-5



### PWB

PART NO.	"L"
HSR4000-1	.285
HSR4000-3	.358

Note: Tin-Lead Plated

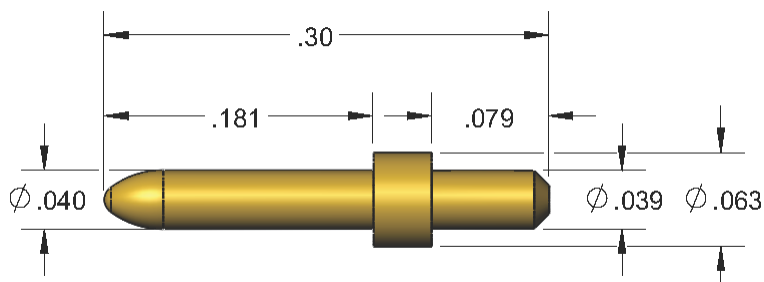


OTHER TERMINATION STYLES AVAILABLE.  
CONTACT FACTORY FOR AVAILABILITY.

4000 SERIES PIN - Ø0.040 (1 mm)

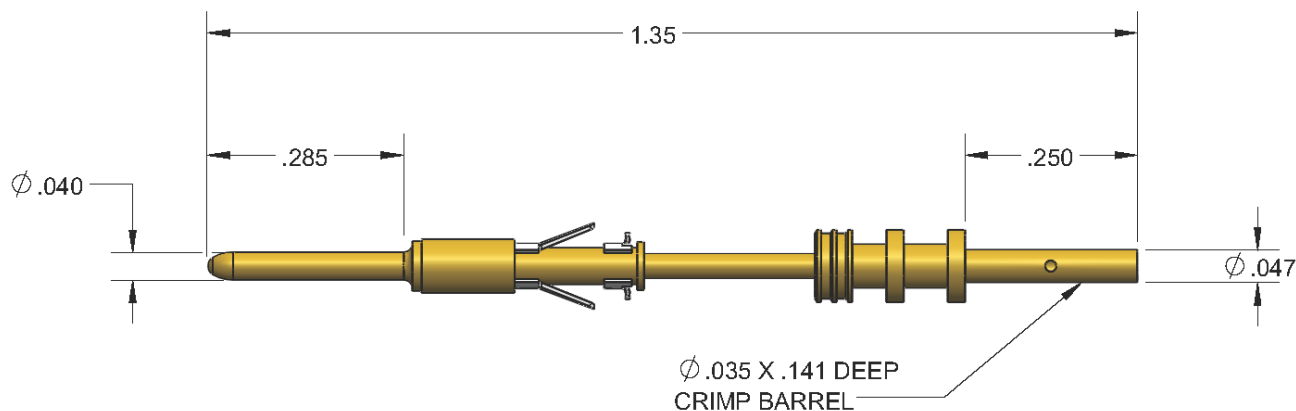
DIP SOLDER

TPD4021



CRIMP

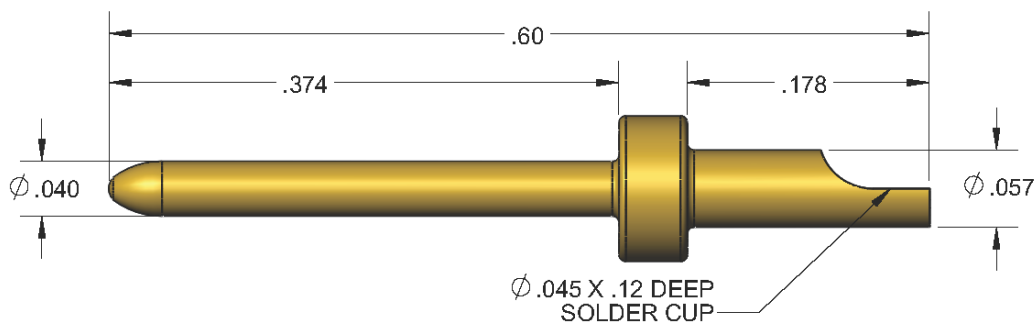
TPC4000



Accepts 22-28 AWG Wire

SOLDER CUP

TPS4010



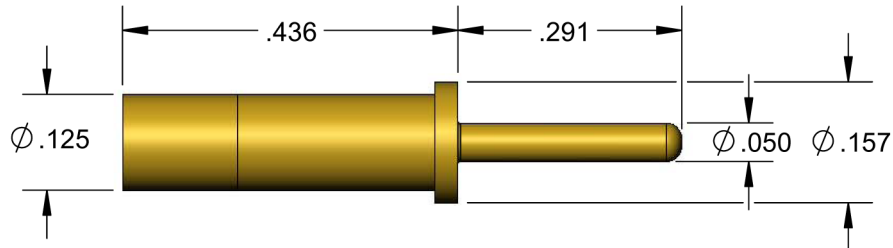
Accepts up to 20 AWG Wire

**OTHER TERMINATION STYLES AVAILABLE.  
CONTACT FACTORY FOR AVAILABILITY.**

## 5900 SERIES SOCKET- ACCEPTS Ø1.50 mm (0.059) MATING PIN

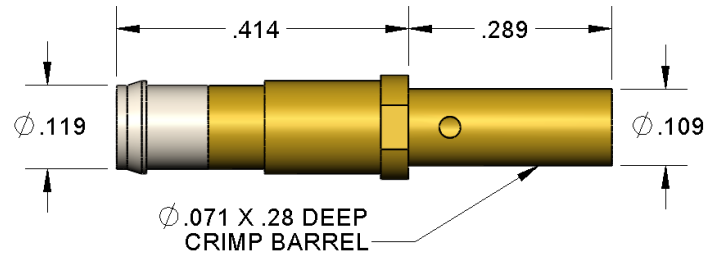
### DIP SOLDER

HSD5901-1



### CRIMP

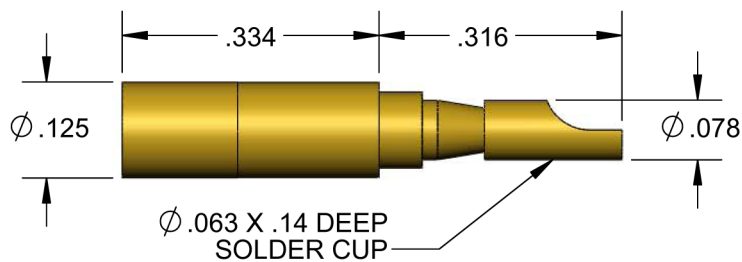
HSC5900-1



Accepts 14-20 AWG Wire

### SOLDER CUP

HSS5900-1

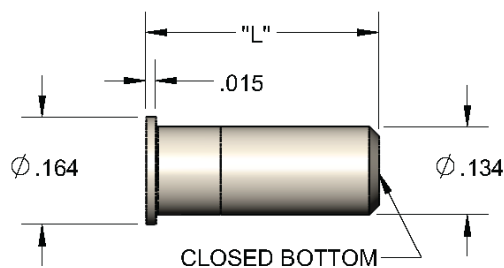


Accepts up to 16 AWG Wire

### PWB

PART NO.	"L"
HSR5900-1	.28
HSR5900-2	.36

Note: Tin-Lead Plated



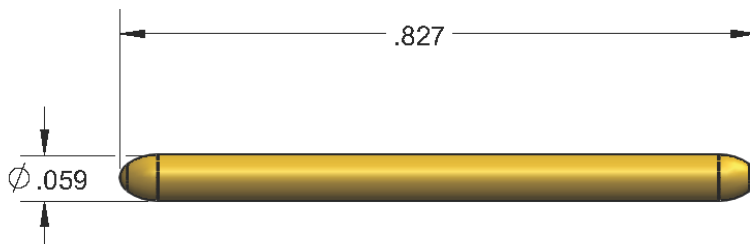
OTHER TERMINATION  
STYLES AVAILABLE.  
CONTACT FACTORY FOR  
AVAILABILITY.



5900 SERIES PIN - Ø1.50 mm (0.059)

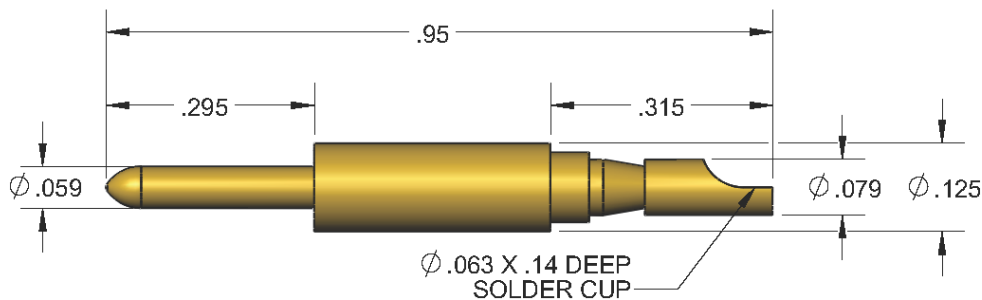
DIP SOLDER

TPD5911



SOLDER CUP

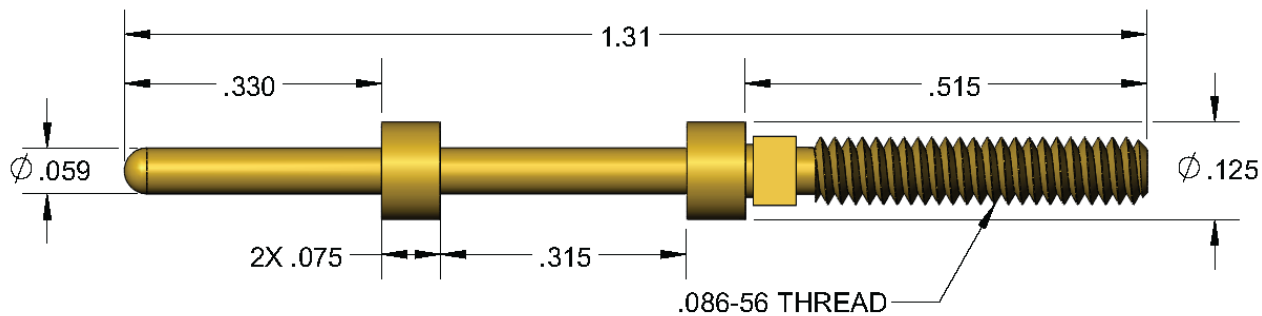
TPS5900



Accepts up to 16 AWG Wire

THREADED

TPT5900

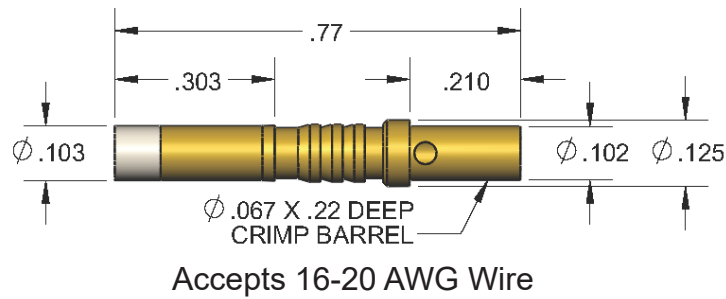


OTHER TERMINATION STYLES AVAILABLE.  
CONTACT FACTORY FOR AVAILABILITY.

6200 SERIES SOCKET- ACCEPTS Ø0.062 (1.57 mm) MATING PIN

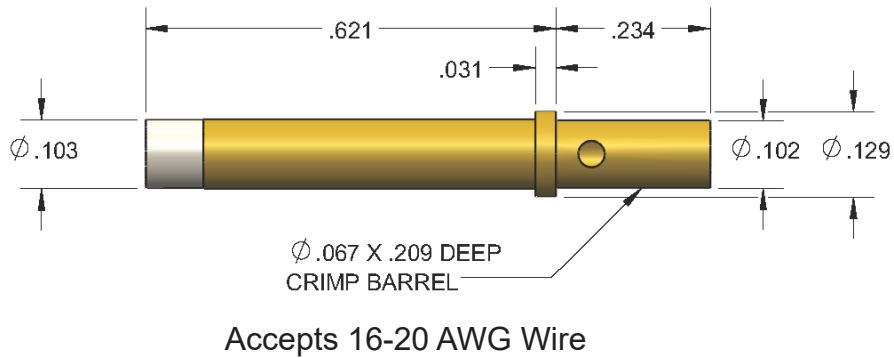
CRIMP

HSC6200-3



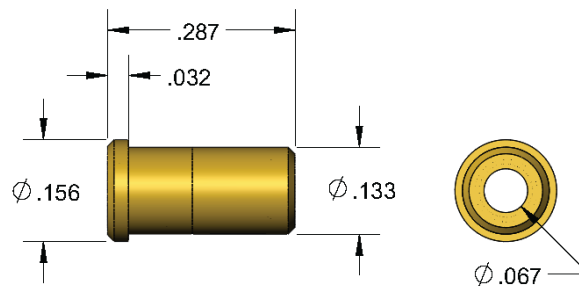
CRIMP

HSC6203-352 (PER SAE-AS39029/56-352)



PWB

HST6220-1

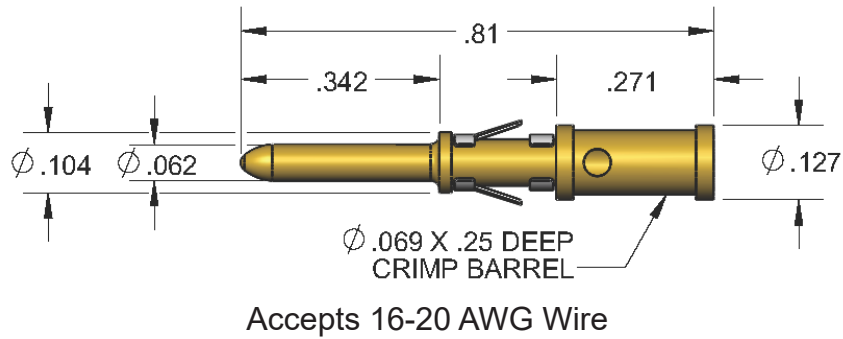


OTHER TERMINATION  
STYLES AVAILABLE.  
CONTACT FACTORY FOR  
AVAILABILITY.

6200 SERIES PIN - Ø0.062 (1.57 mm)

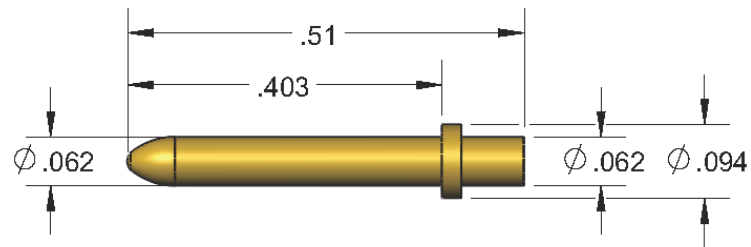
CRIMP

TPC6200



BUTT SOLDER

TPT6200

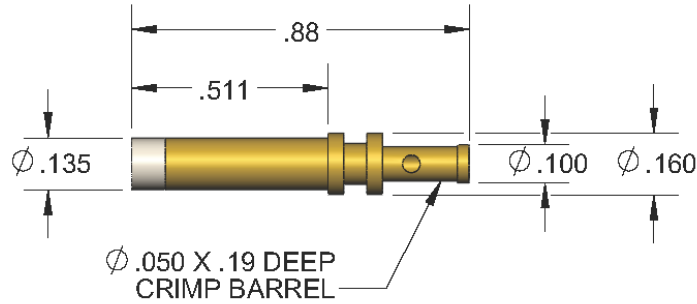


**OTHER TERMINATION STYLES AVAILABLE.  
CONTACT FACTORY FOR AVAILABILITY.**

7800 SERIES SOCKET- ACCEPTS Ø2.00 mm (0.078) MATING PIN

CRIMP

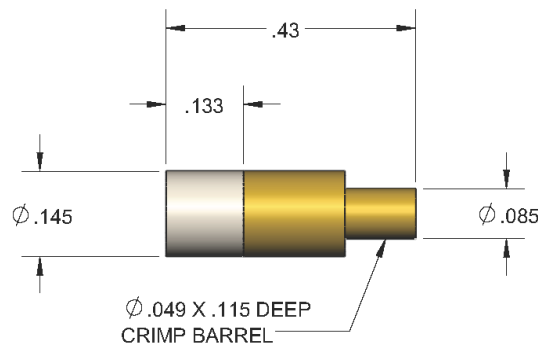
HSC7800-1



Accepts 20 AWG Wire

CRIMP

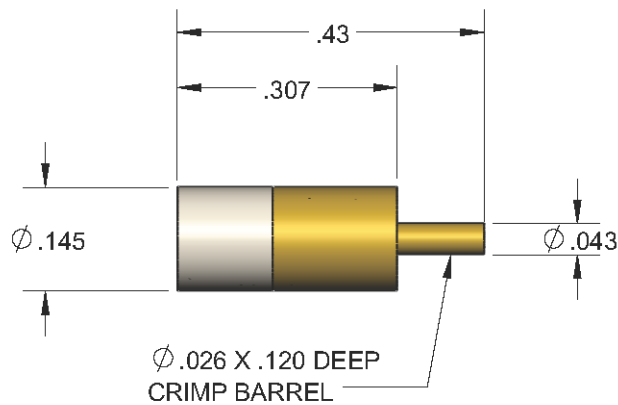
HSC7800-2



Accepts 20 AWG Wire

CRIMP

HSC7800-3



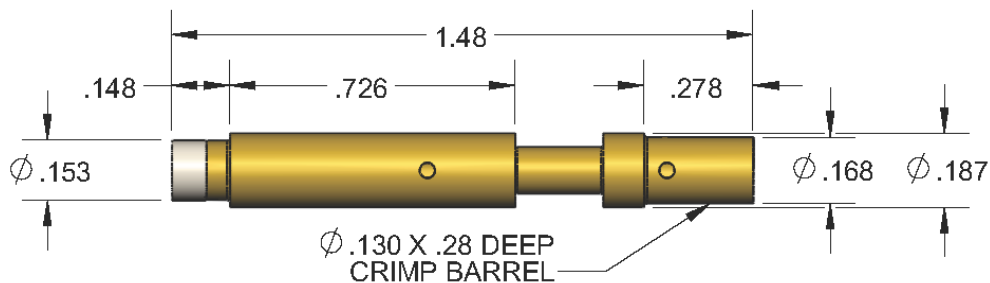
Accepts 26-28 AWG Wire

OTHER TERMINATION  
STYLES AVAILABLE.  
CONTACT FACTORY FOR  
AVAILABILITY.

9300 SERIES SOCKET- ACCEPTS Ø0.093 (2.36 mm) MATING PIN

CRIMP

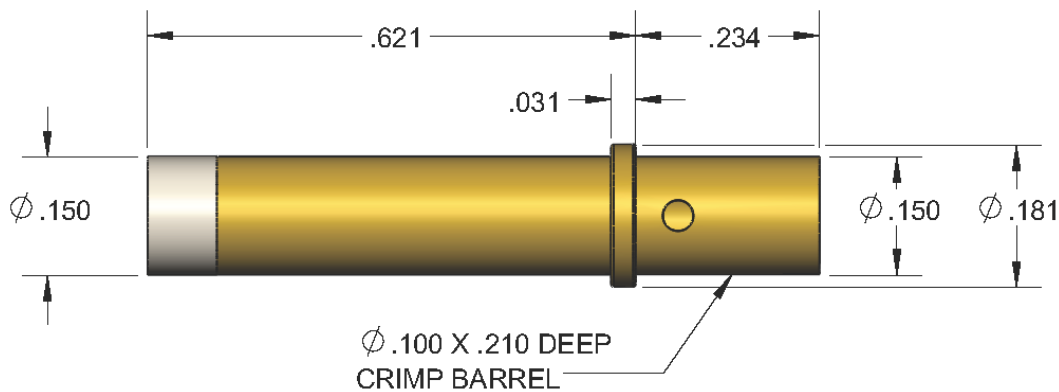
HSC9300-2



Accepts 9-11 AWG Wire

CRIMP

HSC9300-353 (PER SAE-AS39029/56-353)



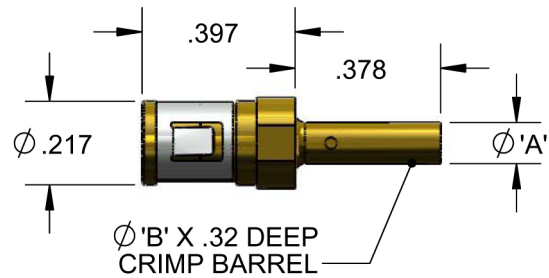
Accepts 12-14 AWG Wire

OTHER TERMINATION STYLES AVAILABLE.  
CONTACT FACTORY FOR AVAILABILITY.

## 9800 SERIES SOCKET-ACCEPTS Ø2.50 mm (0.098) MATING PIN

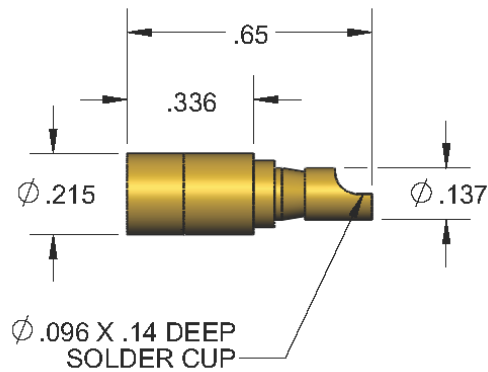
### CRIMP

PART NO.	'A'	'B'	AWG Wire
HSC9800-1	.107	.077	14-20
HSC9800-2	.122	.059	18-22



### SOLDER CUP

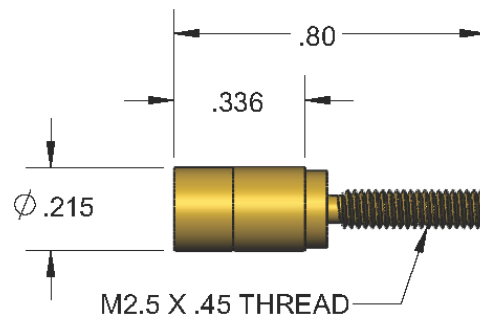
HSS9800-3



Accepts up to 12 AWG Wire

### THREADED

HST9800-2

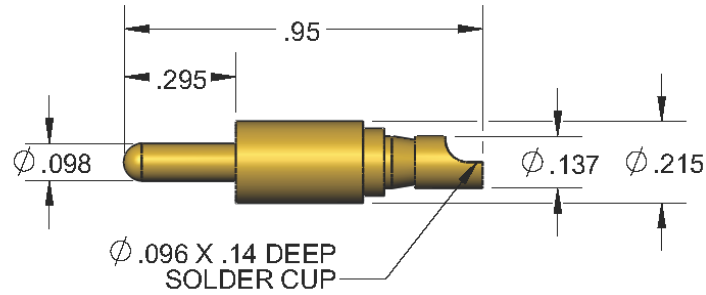


OTHER TERMINATION STYLES  
AVAILABLE.  
CONTACT FACTORY FOR  
AVAILABILITY.

9800 SERIES PIN - Ø2.50 mm (0.098)

SOLDER CUP

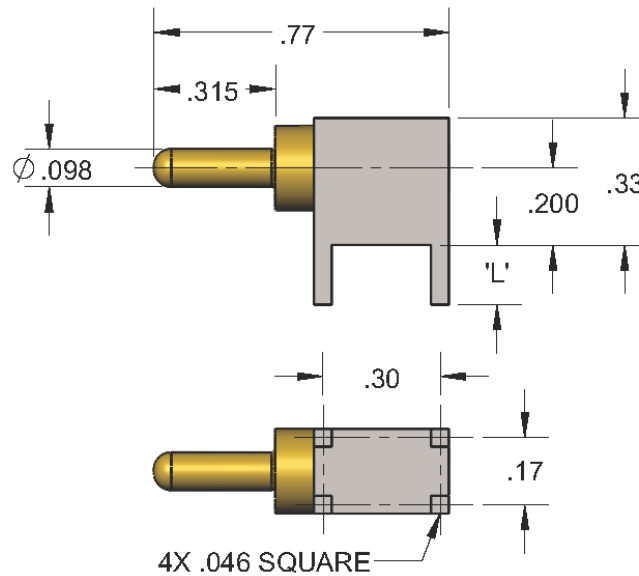
TPS9801



Accepts up to 12 AWG Wire

RIGHT ANGLE PWB

PART NO.	'L'
TPE0980-1	.155
TPE0980-2	.100



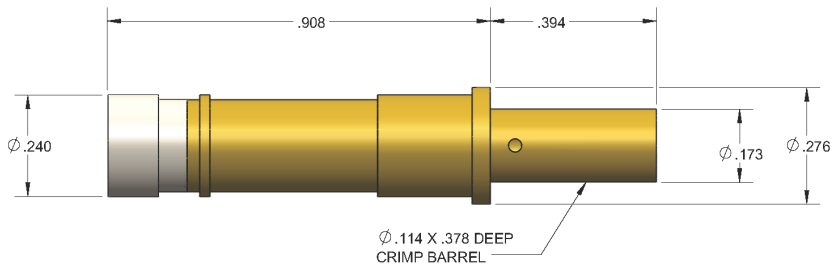
OTHER TERMINATION STYLES AVAILABLE.  
CONTACT FACTORY FOR AVAILABILITY.



1180 SERIES SOCKET - ACCEPTS Ø3.00 mm (0.118) MATING PIN

CRIMP

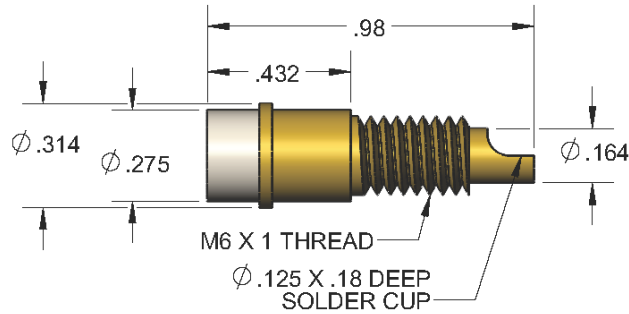
HSC1180-1



Accepts 12-14 AWG Wire

SOLDER CUP

HSS1180-3

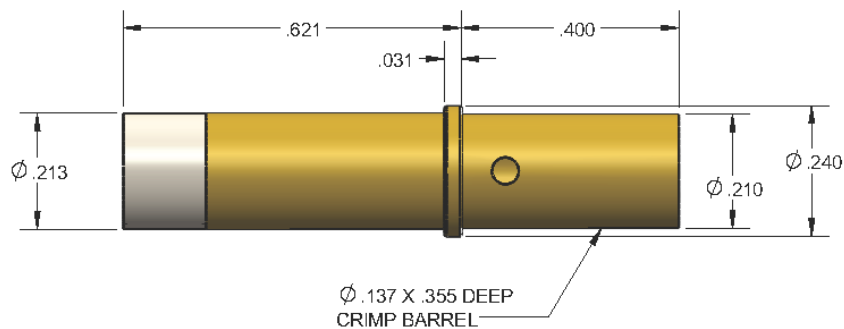


Accepts up to 12 AWG Wire

1250 SERIES SOCKET - ACCEPTS Ø0.125 (3.18 mm) MATING PIN

CRIMP

HSC1250-527 (PER SAE-AS39029/56-527)



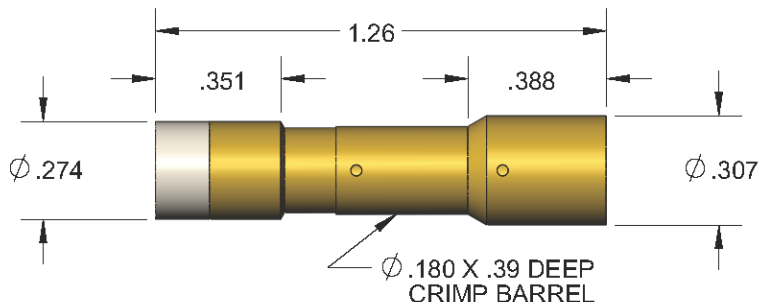
Accepts 10 AWG Wire

OTHER TERMINATION STYLES AVAILABLE.  
CONTACT FACTORY FOR AVAILABILITY.

1380 SERIES SOCKET- ACCEPTS Ø3.50 mm (0.138) MATING PIN

CRIMP

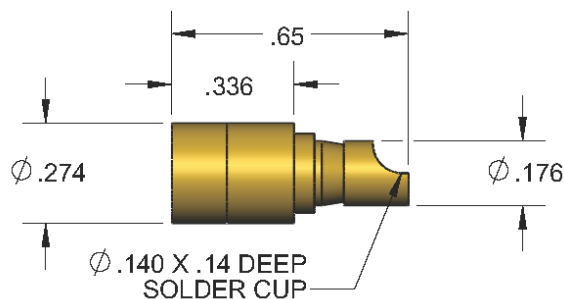
HSC1380-2



Accepts 8-10 AWG Wire

SOLDER CUP

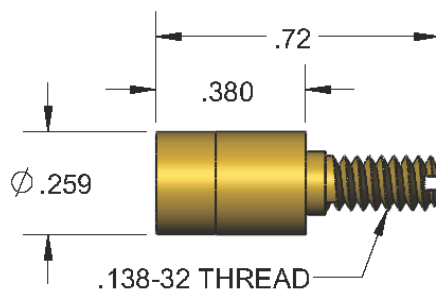
HSS1380-1D



Accepts up to 10 AWG Wire

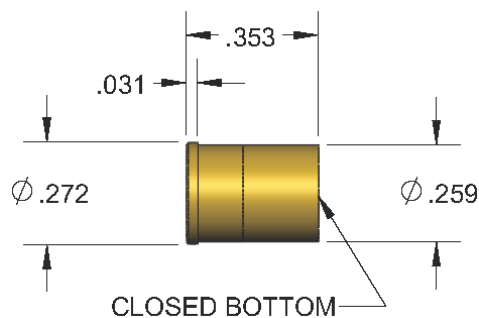
THREADED

HST1380-2A



PWB

HSR1380-1

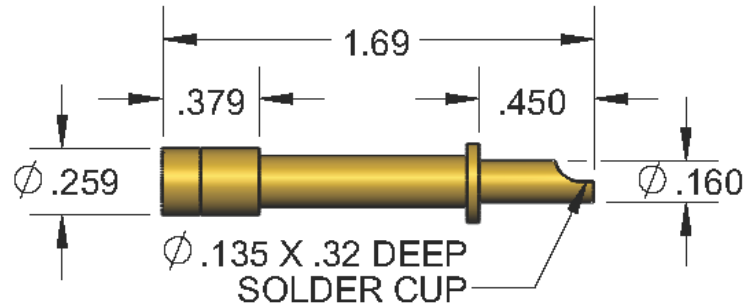


OTHER TERMINATION  
STYLES AVAILABLE.  
CONTACT FACTORY FOR  
AVAILABILITY.

1380 SERIES SOCKET-ACCEPTS Ø3.50 mm (0.138) MATING PIN

SOLDER CUP

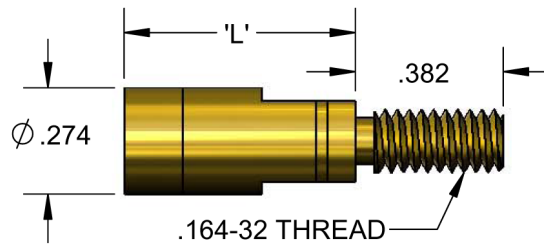
HSS1380-7



Accepts up to 10 AWG Wire

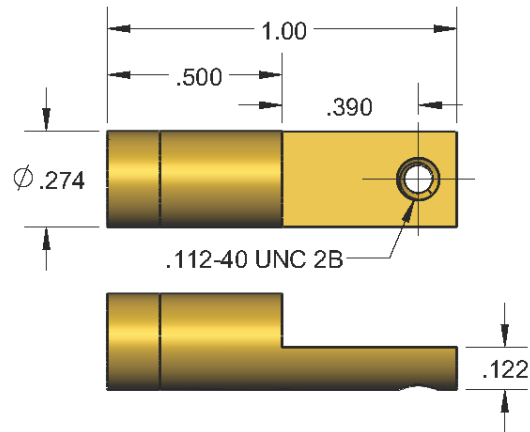
THREADED

PART NO.	'L'
HST1385-1	.60
HST1385-2	.95



LUG MOUNT

HST1386-1

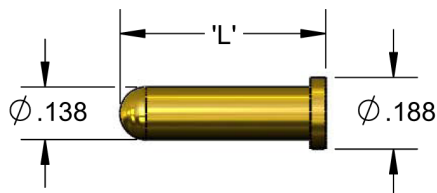


OTHER TERMINATION STYLES AVAILABLE.  
CONTACT FACTORY FOR AVAILABILITY.

1380 SERIES PIN - Ø3.50 mm (0.138)

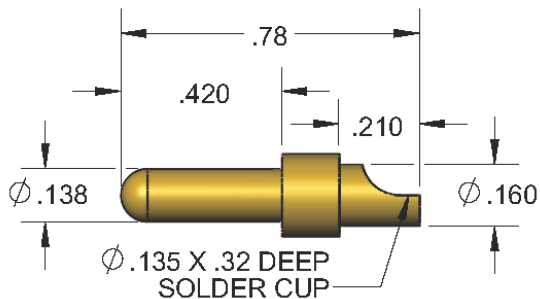
BUTT SOLDER

PART NO.	'L'
TPD1381	.54
TPD1382	.84



SOLDER CUP

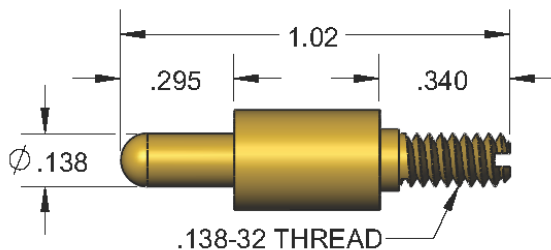
TPS1381



Accepts up to 10 AWG Wire

THREADED

TPT1380

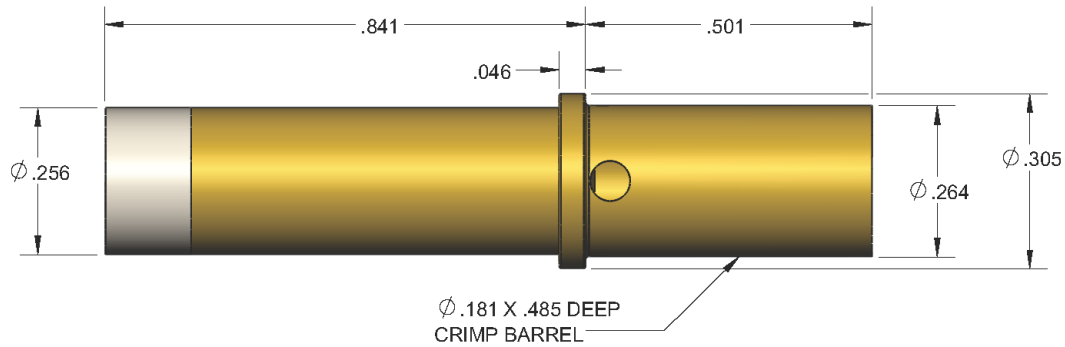


OTHER TERMINATION  
STYLES AVAILABLE.  
CONTACT FACTORY FOR  
AVAILABILITY.

1420 SERIES SOCKET- ACCEPTS Ø3.60mm (0.142) MATING PIN

CRIMP

HSC1420-220 (PER SAE-AS39029/30-220)

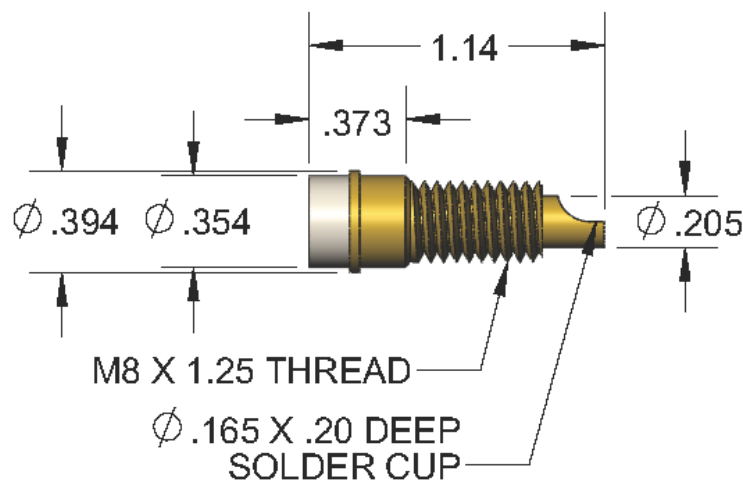


Accepts 8-10 AWG Wire

1575 SERIES SOCKET- ACCEPTS Ø4.00mm (0.157) MATING PIN

SOLDER CUP

HSS1575-1



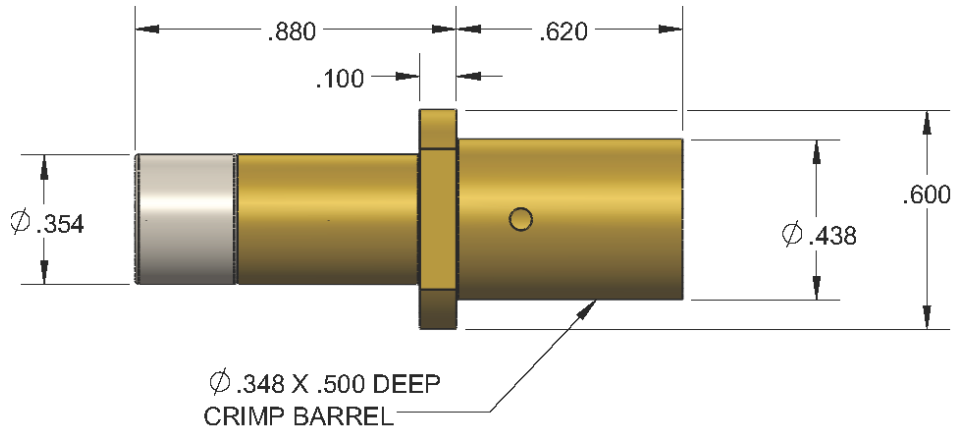
Accepts up to 8 AWG Wire

OTHER TERMINATION STYLES AVAILABLE.  
CONTACT FACTORY FOR AVAILABILITY.

1690 SERIES SOCKET- ACCEPTS Ø4.30mm (0.169) MATING PIN

CRIMP

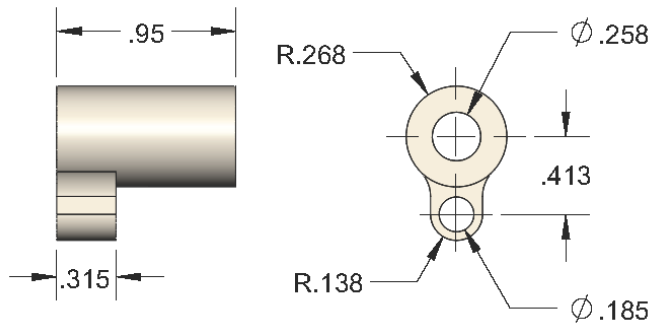
HSC1690-1



Accepts 2 AWG Wire

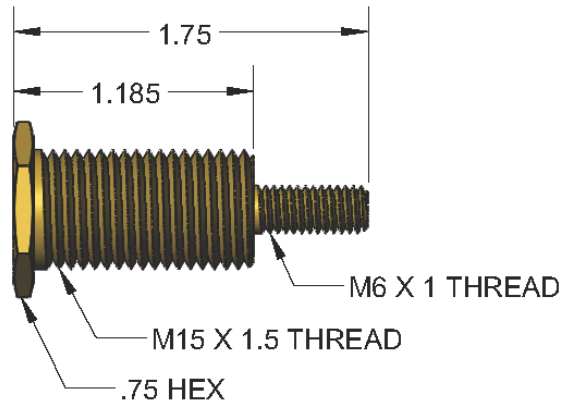
PASS THRU

HSS1690-1



THREADED

HST1690-1

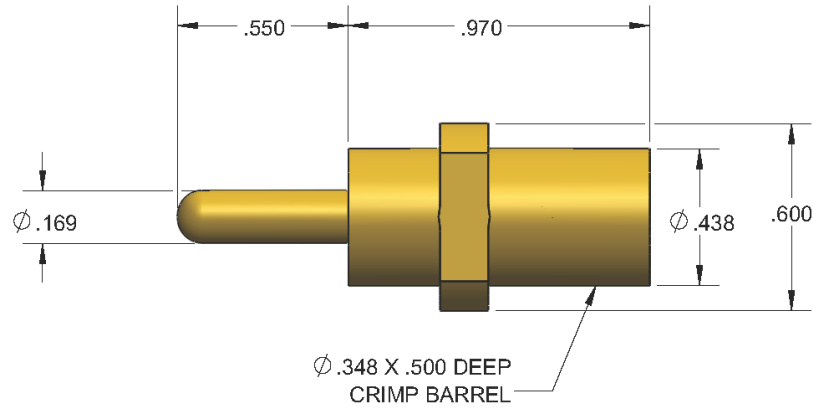


OTHER TERMINATION  
STYLES AVAILABLE.  
CONTACT FACTORY FOR  
AVAILABILITY.

## 1690 SERIES PIN - Ø4.30mm (0.169)

### CRIMP

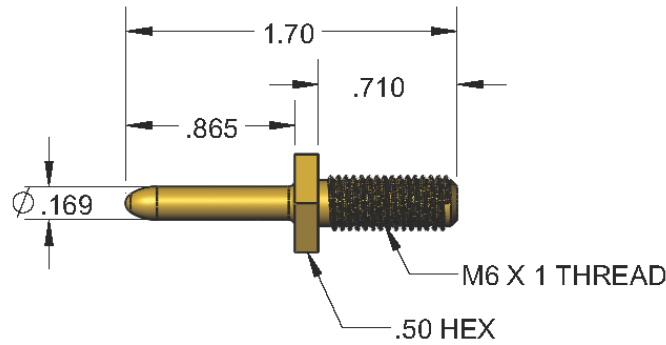
TPC1690



Accepts 2 AWG Wire

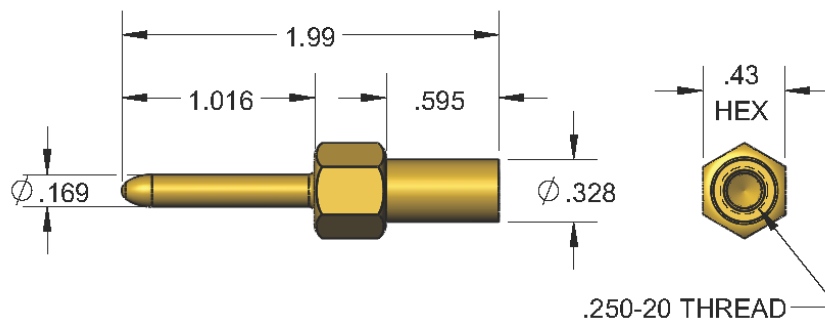
### THREADED

TPT1691



### THREADED

TPT1693

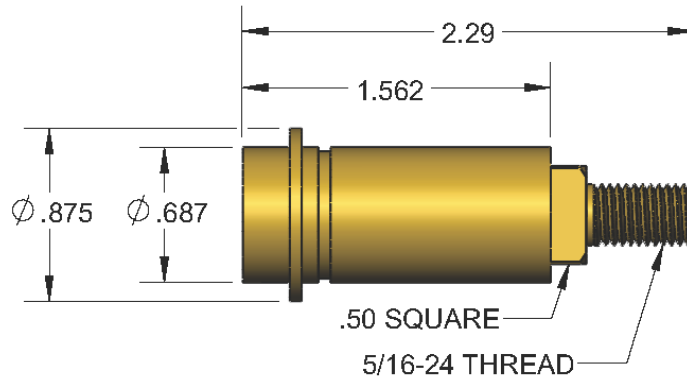


**OTHER TERMINATION STYLES AVAILABLE.  
CONTACT FACTORY FOR AVAILABILITY.**

2541 SERIES SOCKET- ACCEPTS Ø6.12mm (0.241) MATING PIN

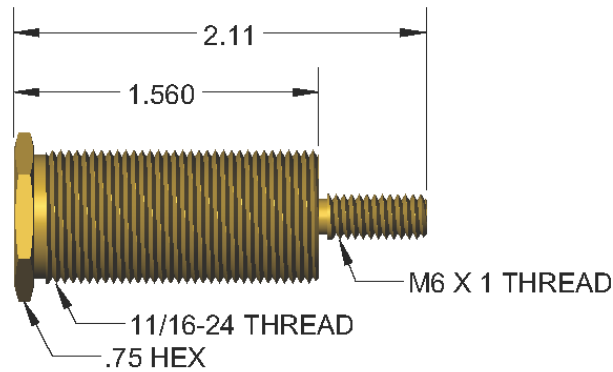
THREADED

HST2541-1



THREADED

HST2541-3



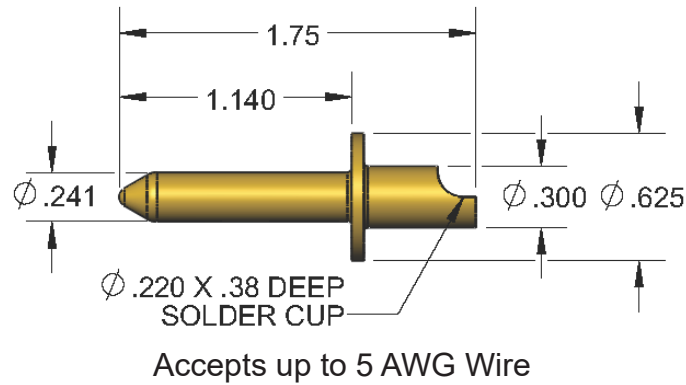
OTHER TERMINATION STYLES AVAILABLE.  
CONTACT FACTORY FOR AVAILABILITY.



2541 SERIES PIN - Ø6.12mm (0.241)

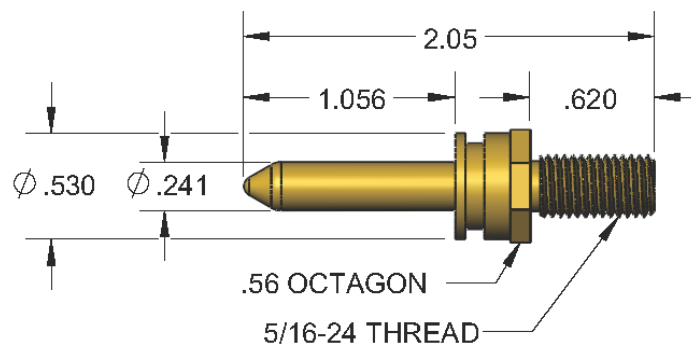
SOLDER CUP

TPS2541



THREADED

TPT2541

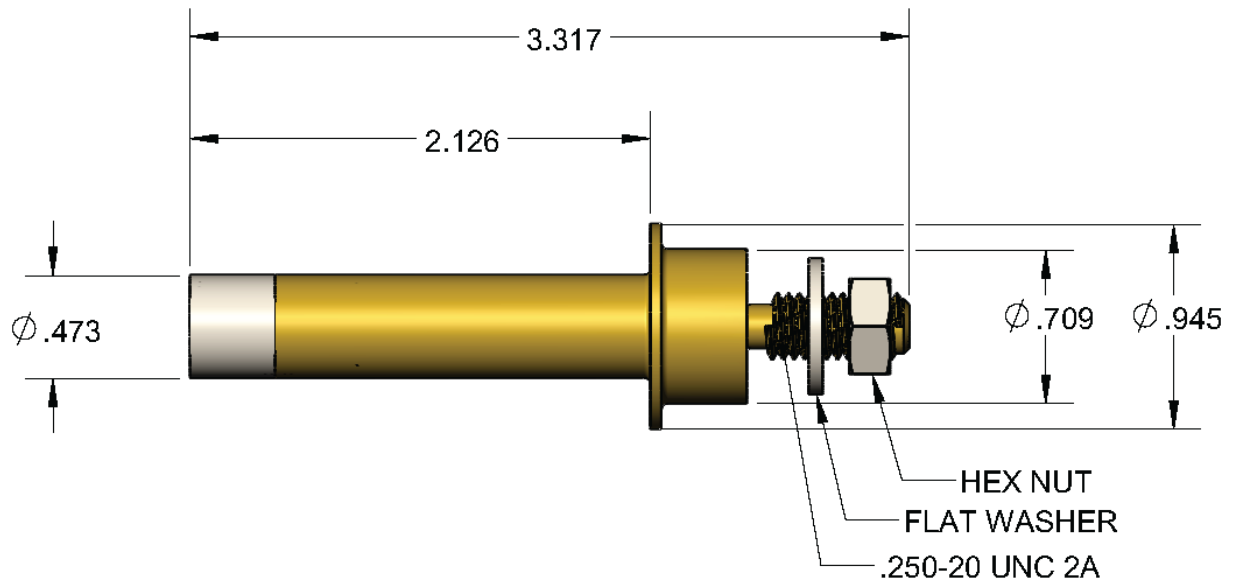


OTHER TERMINATION STYLES AVAILABLE.  
CONTACT FACTORY FOR AVAILABILITY.

3150 SERIES SOCKET- ACCEPTS Ø8.0mm (0.315) MATING PIN

**THREADED**

HST3150-1

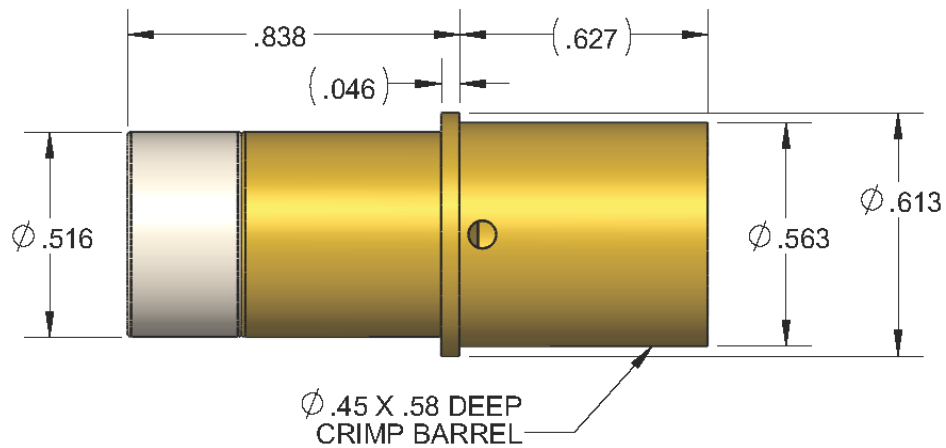


*OTHER TERMINATION STYLES AVAILABLE.  
CONTACT FACTORY FOR AVAILABILITY.*

3570 SERIES SOCKET- ACCEPTS Ø0.357 (9.07mm) MATING PIN

**CRIMP**

HSC3570-1 (M39029/30-222)



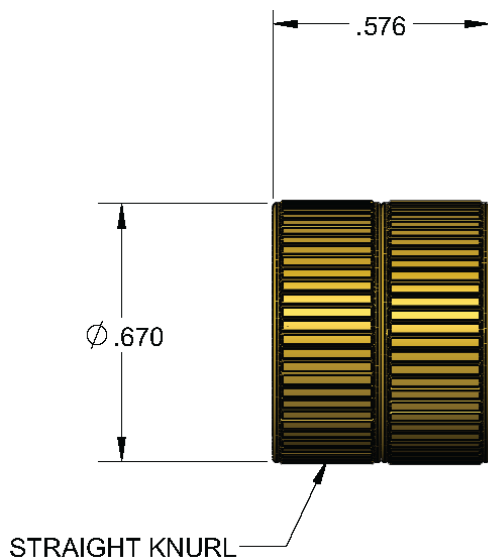
Accepts 1/0 AWG Wire

**OTHER TERMINATION STYLES AVAILABLE.  
CONTACT FACTORY FOR AVAILABILITY.**

5000 SERIES SOCKET- ACCEPTS Ø0.500 (12.7mm) MATING PIN

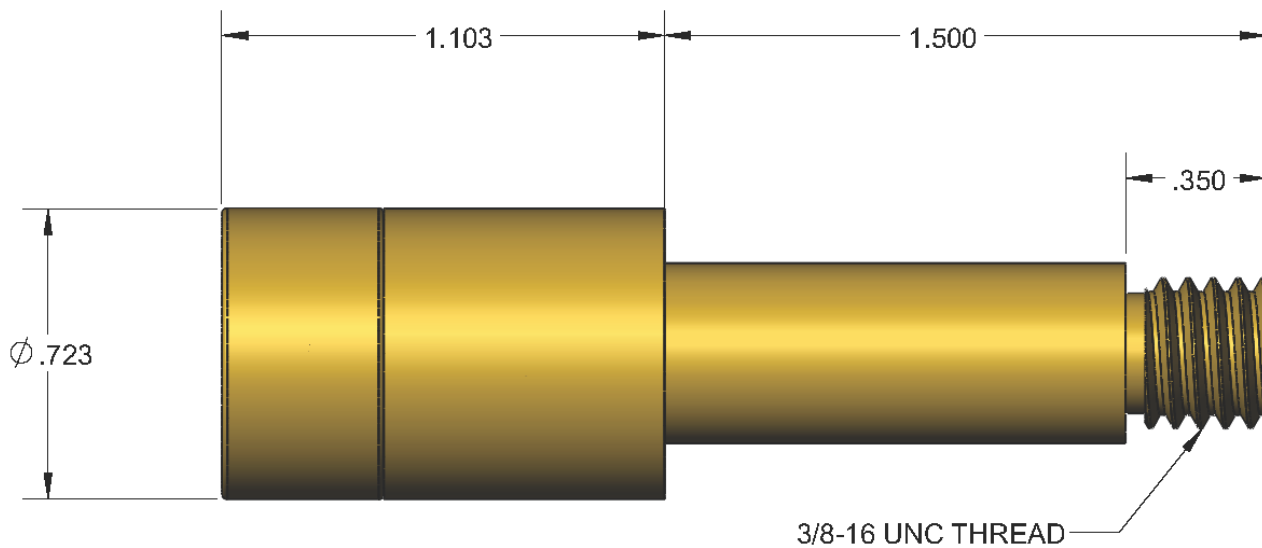
PASS THRU

HSR5001-1



THREADED

HST5000-1



OTHER TERMINATION STYLES AVAILABLE.  
CONTACT FACTORY FOR AVAILABILITY.

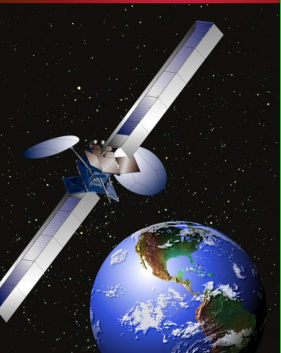
## Crimp Tool, Positioner, Insertion Tool & Removal Tool

Part Number	Crimp Tool	Positioner	Insertion Tool	Removal Tool
HSC1200-1	AFM8 M22520/2-01	T1914	T1916	N/A*
TPC1200	AFM8 M22520/2-01	T1914	T1916	N/A*
HSC1600-1	AFM8 M22520/2-01	T1914	T1916	N/A*
HSC1800-1	AFM8	SS1.0045	N/A*	N/A*
HSC2306-1	AFM8	K13-1	N/A*	T1978
HSC2306-1A	AFM8	K13-1	N/A*	T1978
HSC2306-1B	MS3198.1 M22520/2-01 AFM8	K547	S/MONT 1.0060	N/A*
TPC2307	AFM8	K13-1	N/A*	N/A*
TPC2308	AFM8	K13-1	N/A*	N/A*
TPC2309	MS3198.1 M22520/2-01 AFM8	K547	S/MONT 1.0060	N/A*
<b>HSC3003-348</b>	M22520/2-01 M22520/7-01	M22520/2-07 M22520/7-05	M81969/14-01 M81969/8-01	M81969/14-01 M81969/8-02
<b>HSC3003-354</b>	M22520/2-01 M22520/7-01	M22520/2-06 M22520/7-06	M81969/14-01 M81969/8-01	M81969/14-01 M81969/8-02
TPC3000	N/A*	N/A*	N/A*	N/A*
HSC4003-115M	M22520/2-01 M22520/7-01	M22520/2-07 M22520/7-05	M81969/14-01 M81969/8-01	M81969/14-01 M81969/8-02
<b>HSC4003-351</b>	M22520/2-01 M22520/7-01 M22520/1-01	M22520/7-08 M22520/2-10 M22520/1-04	M81969/14-02 M81969/8-05	M81969/14-02 M81969/8-05
<b>HSC4003-368</b>	M22520/201	M22520/2-08	M81969/14-02	M81969/1-02
TPC4000	M22520/2-01 M22520/7-01	M22520/2-07 M22520/7-05	M81969/14-01 M81969/8-01	M81969/14-01 M81969/8-02
HSC5900-1	AF8	TP687	N/A*	S/DEM5.0150
HSC6200-3	AF8	T1165	N/A*	T1124
<b>HSC6203-352</b>	M22520/2-01 M22520/7-01	M22520/1-04 M22520/7-04	M81969/14-03 M81969/8-07	M81969/14-03 M81969/8-08
TPC6200	N/A*	N/A*	N/A*	N/A*
HSC7800-1	N/A*	N/A*	N/A*	N/A*
HSC7800-2	N/A*	N/A*	N/A*	N/A*
HSC7800-3	N/A*	N/A*	N/A*	N/A*
HSC9300-2	N/A*	N/A*	N/A*	N/A*
<b>HSC9300-353</b>	M22520/2-01	M22520/1-04	M81969/14-04 M81969/8-09	M81969/14-04 M81969/8-10
HSC9800-1	N/A*	N/A*	N/A*	N/A*
HSC1180-1	N/A*	N/A*	N/A*	N/A*
<b>HSC1250-527</b>	N/A*	N/A*	M81969/14-05	M81969/14-05
HSC1380-2	N/A*	N/A*	N/A*	N/A*
<b>HSC1420-220</b>	M22520/23-01	N/A*	N/A*	M81969/29-02
HSC1690-1	N/A*	N/A*	N/A*	N/A*
TPC1690	N/A*	N/A*	N/A*	N/A*
<b>HSC3570-1</b>	M22520/23-01	N/A*	N/A*	M81969/29-04

\*Custom Tooling; Contact factory for further assistance.

## **IEH Quality Statement**

**Listening to our customers and meeting their needs while  
continuously improving our processes and services**



## IEH CORPORATION

140 58TH STREET, 8E, BROOKLYN, NY 11220

PHONE (718) 492-4448 • FAX (718) 492-9898

[www.iehcorp.com](http://www.iehcorp.com) • [ieh@iehcorp.com](mailto:ieh@iehcorp.com)

REV. C