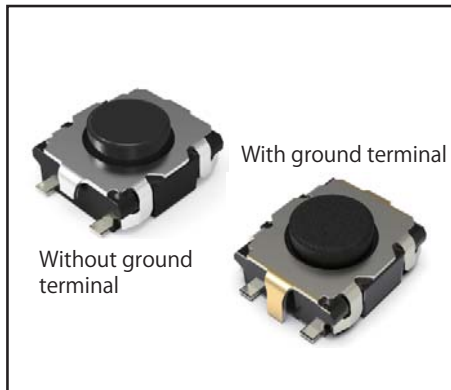


TACT Switch™ Top push Type (Surface Mount)

SKSG Series 2.8N

New force variety 2.8N added



Features

- With 3×2.7mm outline size and 1.4mm height, these surface mounting type are ideal for high-density mounting.
- Compact size contributed in improving the low-profile and light weight device.

Applications

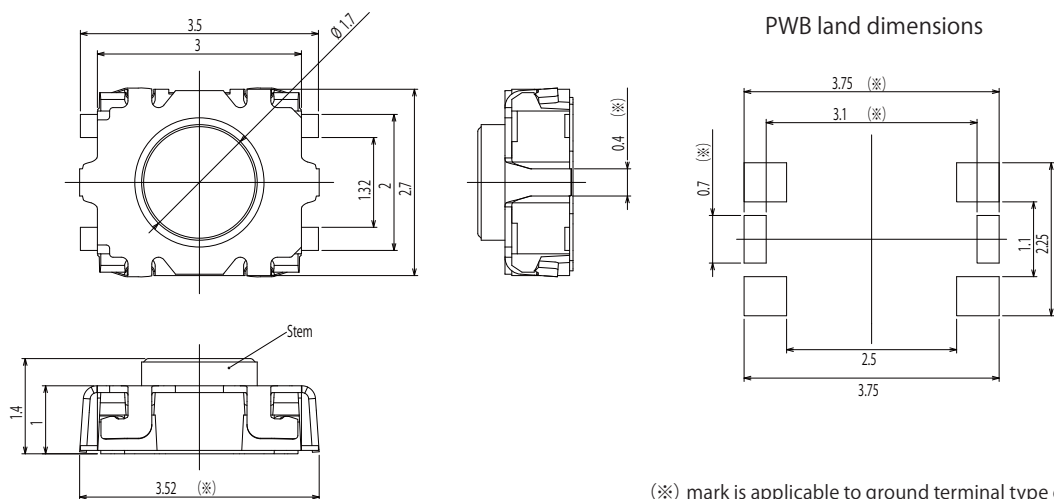
- For operation of mobile, consumer, industrial machine, vehicle, etc.

Typical Specifications

Product No.	Ground terminal	Dimensions / Height	Operating force	Stem color	Travel	Operating life	Rating (Max.)	Initial contact resistance
SKSGACE010	Without	3.0 × 2.7 mm / 1.4 mm	1.6N	Natural	0.12 mm	200,000 cycles	12V DC 50mA	100mΩ max.
SKSGAFE010			2.8N	Black				
SKSGAAE010			4N	Black				
SKSGPCE010	With		1.6N	Natural				
SKSGPGE010			2.8N	Black				
SKSGPAE010			4N	Black				

Dimensions

Unit : mm



(※) mark is applicable to ground terminal type only.

Precautions when handling our products

●For the export of products which are controlled items subject to foreign and domestic export laws and regulations, you must obtain approval and/or follow the formalities of such laws and regulations. ●Products must not be used for military and/or antisocial purposes such as terrorism, and shall not be supplied to any party intending to use the products for such purposes. ●Unless provided for otherwise, the products have been designed and manufactured for application in equipment and devices which are sold to end users in the market, including audio-visual (AV) equipment, electrical home appliances, office machines, information and communication equipment, and amusement equipment. The products are not intended for use in, and must not be used for, any application for nuclear equipment, driving equipment for aerospace or any other unauthorized use. With the exception of the abovementioned prohibited applications, please contact an Alps Alpine sales representative and/or evaluate the total system regarding applicability for applications involving high levels of safety and liability such as medical equipment, burglar alarm equipment, disaster prevention equipment and undersea equipment. Please also incorporate fail-safe design, protection and redundant circuitry, malfunction protection, and/or fire protection into the complete system to ensure safety and reliability of the total system. ●Before using products which were not specifically designed for use in automotive applications, please contact an Alps Alpine sales representative.

Cautions for using this catalog

●Specification indicated in this catalog is outline only. When employing the product, use of an officially authorized specification for supply contract is recommended. ●Please note that the colors of products shown in this catalog may be a little different from those of the actual products. ●Names for products and companies and titles of specifications indicated in this catalog are mostly trademarks or registered trademarks of their respective owners. ●Please contact us for any enquiries and queries on our products and their uses. ●This catalog is valid till the end of December 2020.