

Coin Cell Supercapacitor



See below:  
[Approvals and Compliances](#)

**Description**

- Coin Cell Supercapacitor
- Vertical design
- THT-terminals

**Unique Selling Proposition**

- Very compact design
- High power density
- Low leakage current
- Long lifetime

**Applications**

- Sensors
- Small mobile devices
- Smart Meter
- Computers and peripherals
- Office equipment
- Real-time clock backup

**Weblinks**

[pdf data sheet](#), [html datasheet](#), [Distributor-Stock-Check](#), [Detailed request for product](#)

**Technical Data**

Rated Voltage	5.5V
Capacity	100 - 1500mF
Allowable Operation Temperature	-25 °C to 70 °C
Storage Conditions	0 °C to 60 °C, max. 70% r.h.
Mounting	PCB, THT
Soldering Methods	Wave
Weight	1.4 - 4.3g
Material: Terminals	Tin-plated






**Approvals and Compliances**

Detailed information on product approvals, code requirements, usage instructions and detailed test conditions can be looked up in [Details about Approvals](#)

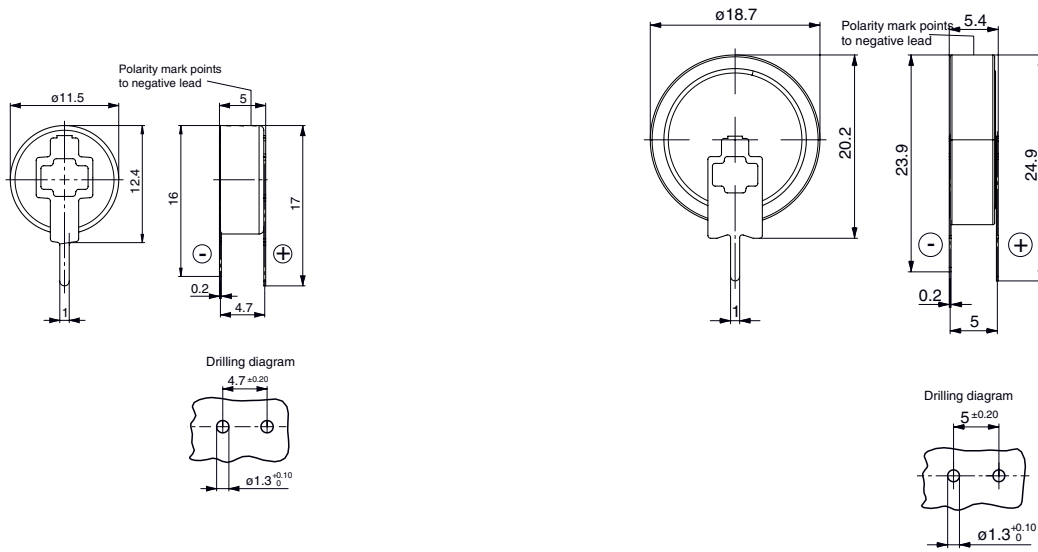
SCHURTER products are designed for use in industrial environments. They have approvals from independent testing bodies according to national and international standards. Products with specific characteristics and requirements such as required in the automotive sector according to IATF 16949, medical technology according to ISO 13485 or in the aerospace industry can be offered exclusively with customer-specific, individual agreements by SCHURTER.

**Compliances**

The product complies with following Guide Lines

Identification	Details	Initiator	Description
	<a href="#">CE declaration of conformity</a>	SCHURTER AG	The CE marking declares that the product complies with the applicable requirements laid down in the harmonisation of Community legislation on its affixing in accordance with EU Regulation 765/2008.
	<a href="#">UKCA declaration of conformity</a>	SCHURTER AG	The UKCA marking declares that the product complies with the applicable requirements laid down in the British Amendment of Regulation (EC) 765/2008.
	<a href="#">RoHS</a>	SCHURTER AG	Directive RoHS 2011/65/EU, Amendment (EU) 2015/863
	<a href="#">China RoHS</a>	SCHURTER AG	The law SJ / T 11363-2006 (China RoHS) has been in force since 1 March 2007. It is similar to the EU directive RoHS.
	<a href="#">REACH</a>	SCHURTER AG	On 1 June 2007, Regulation (EC) No 1907/2006 on the Registration, Evaluation, Authorization and Restriction of Chemicals 1 (abbreviated as "REACH") entered into force.

Dimension [mm]



Variants 3-158-702, 3-158-703, 3-158-704 and 3-158-705

Variants 3-158-706 and 3-158-707

Variants

Capacity (DC, 25°C) [mF]	Capacity Tolerance	ESR max. (AC@1kHz) [Ω]	Leakage Current max. (72 h, 5.0 V, 25°C) [μA]	RMS Current (25°C) [mA]	Peak Current max. (25°C) [mA]	Weight [g]	Packaging [PCS]	Order Number
100	-20% +150%	50	3	18	25	1.4	2464	3-158-702
220	-20% +100%	40	4	26	32	1.4	2464	3-158-703
330	-20% +80%	40	5	29	33	1.4	2464	3-158-704
470	-10% +30%	40	6	30	33	1.4	2408	3-158-705
1000	0 +30%	15	8	79	89	4.3	1134	3-158-706
1500	0 +30%	10	12	118	133	4.3	1134	3-158-707

Availability for all products can be searched real-time: <https://www.schurter.com/en/info-center/support-tools/stock-check-distributors>

Packaging Unit

100 - 330 mF: box (265x190x90mm) with 56 plastic tubes (255x12.5x27.5mm) of 44 pieces  
 470 mF: box (265x190x90mm) with 56 plastic tubes (255x12.5x27.5mm) of 43 pieces  
 1000 - 1500 mF: box (265x190x90mm) with 27 plastic tubes (255x20x29mm) of 42 pieces